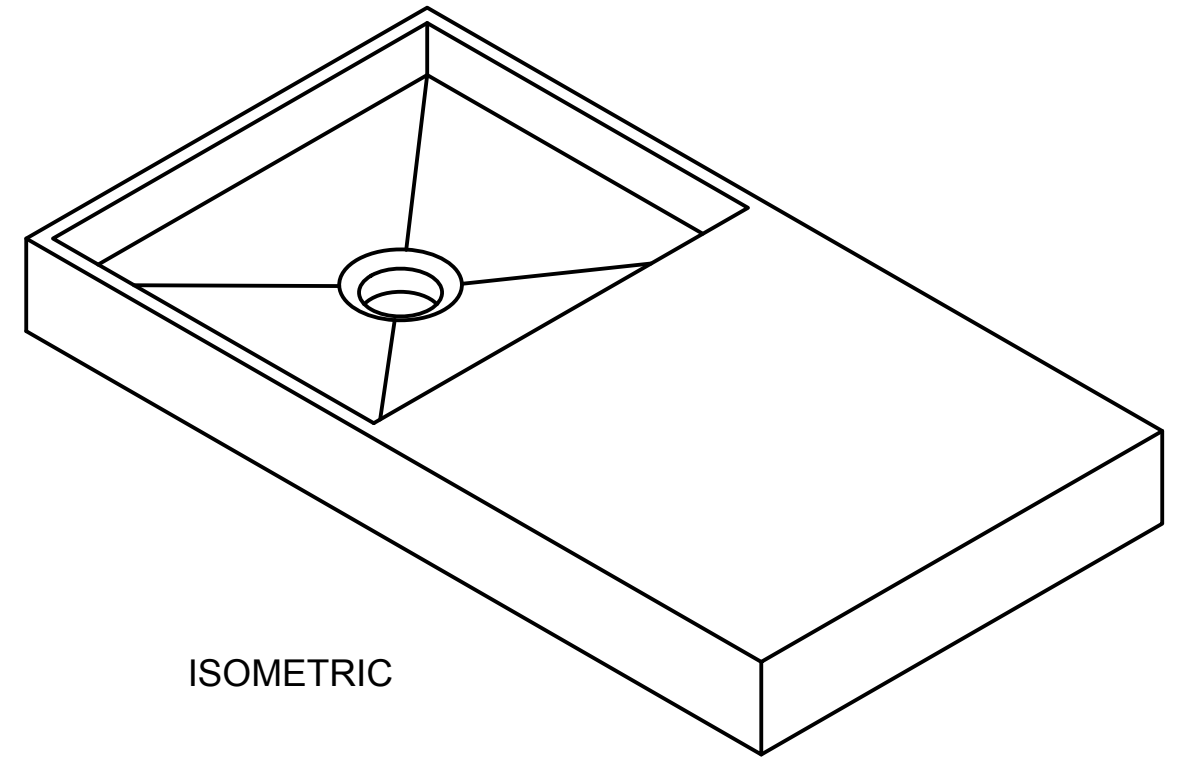
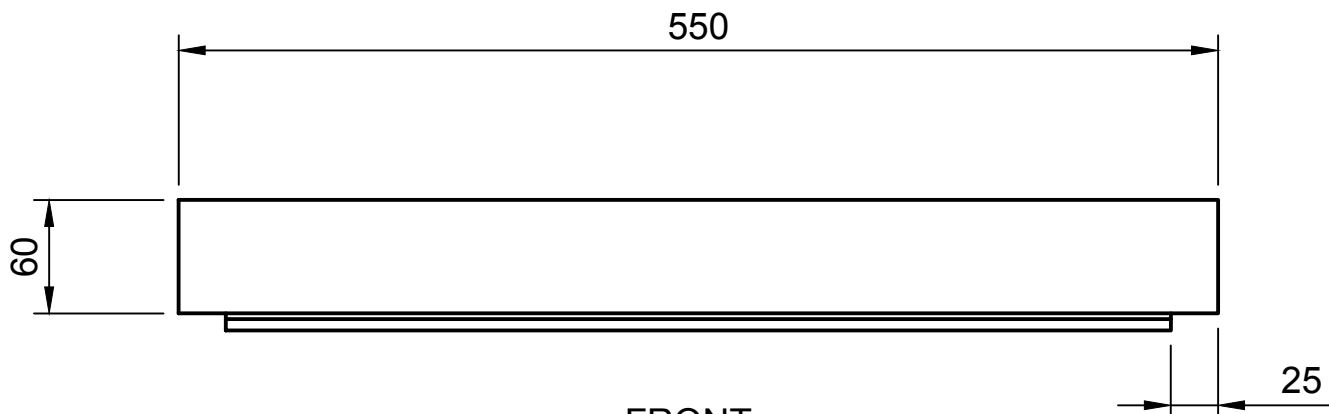


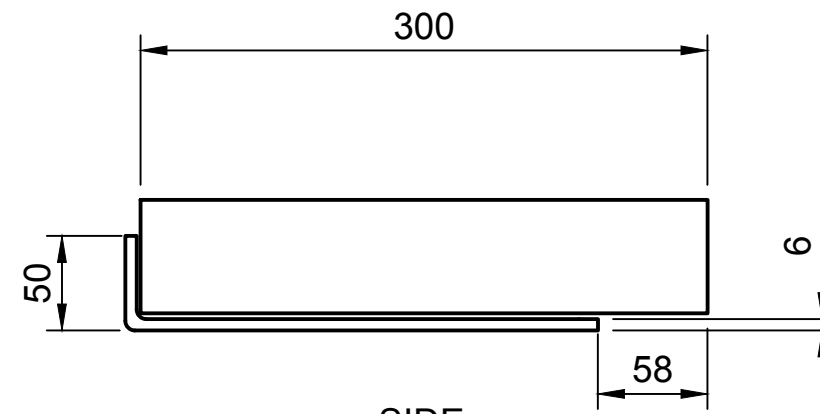
TOP



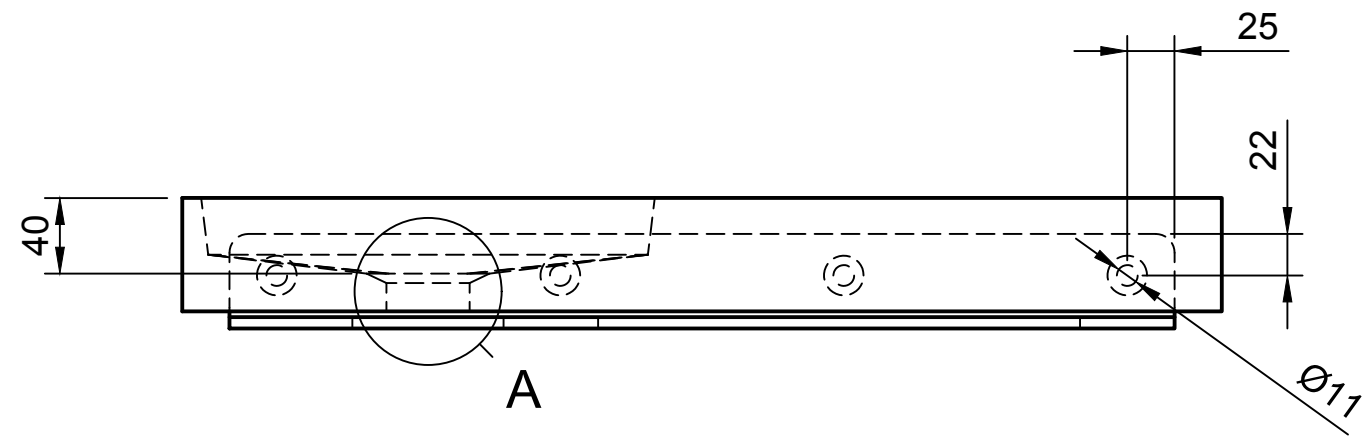
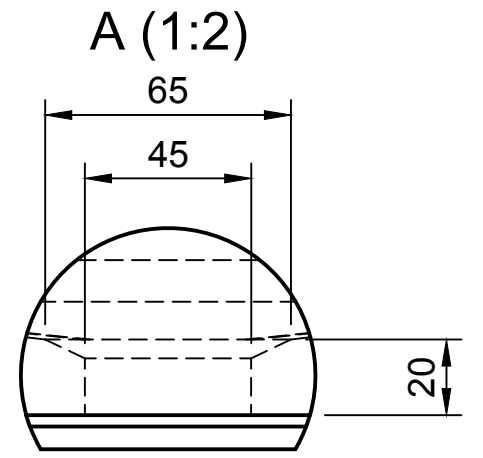
ISOMETRIC



FRONT



SIDE



CROSS SECTION

	<p>WARRINGTON + ROSE</p>
	<p>ALICE</p> <p>550 X 300 X 60</p>