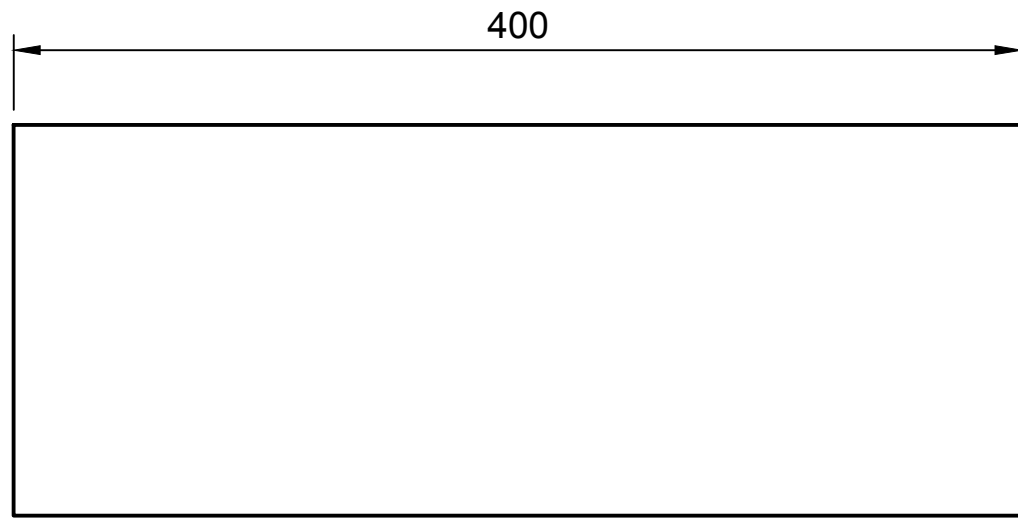
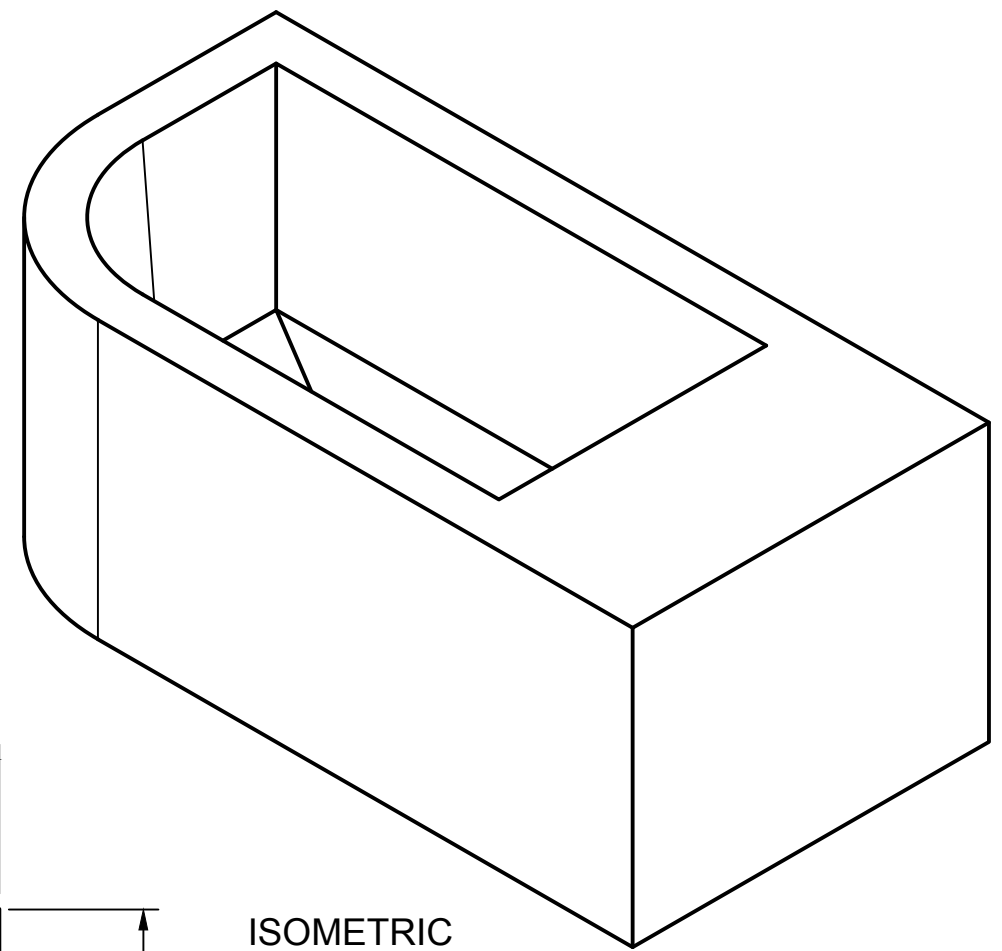


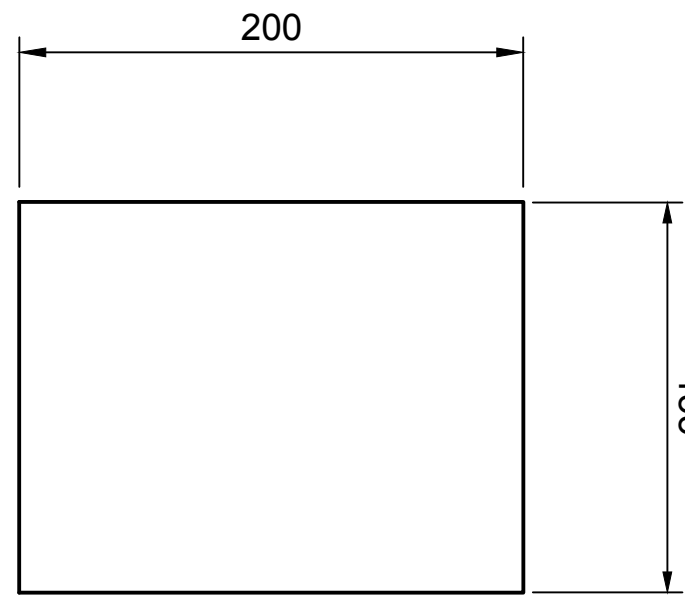
TOP



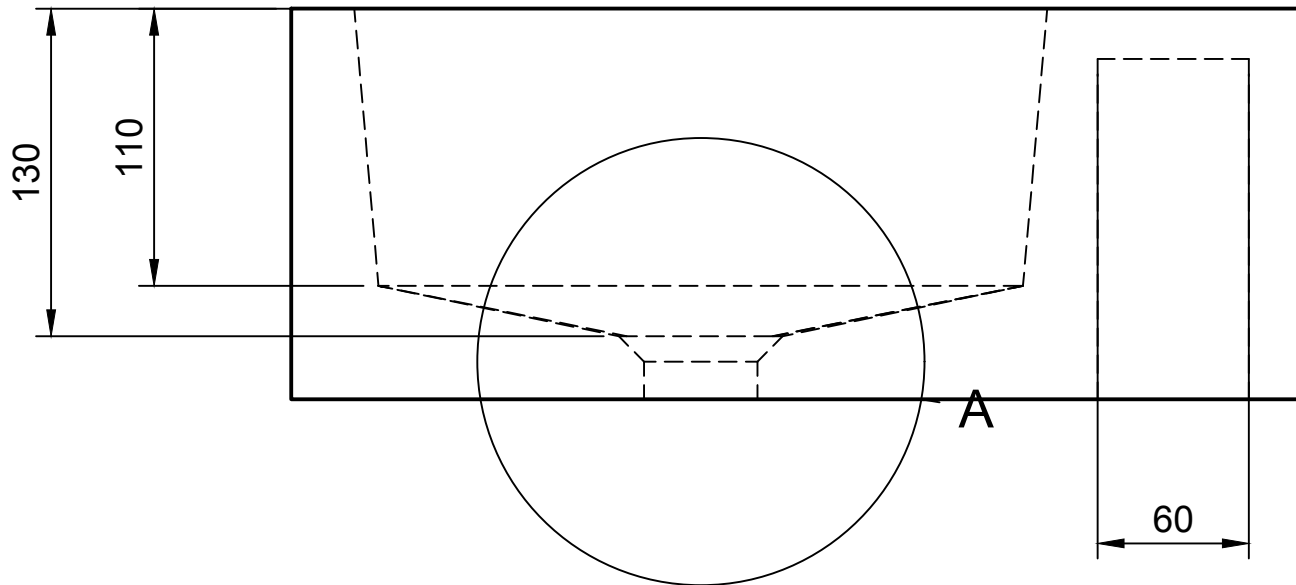
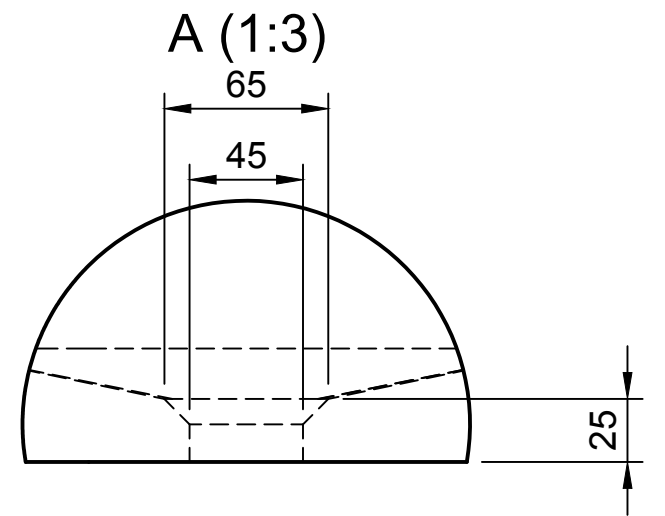
FRONT



ISOMETRIC



SIDE



CROSS SECTION

	<p>WARRINGTON + ROSE</p>
	<p>AMELIA</p> <p>400 X 200 X 155</p>