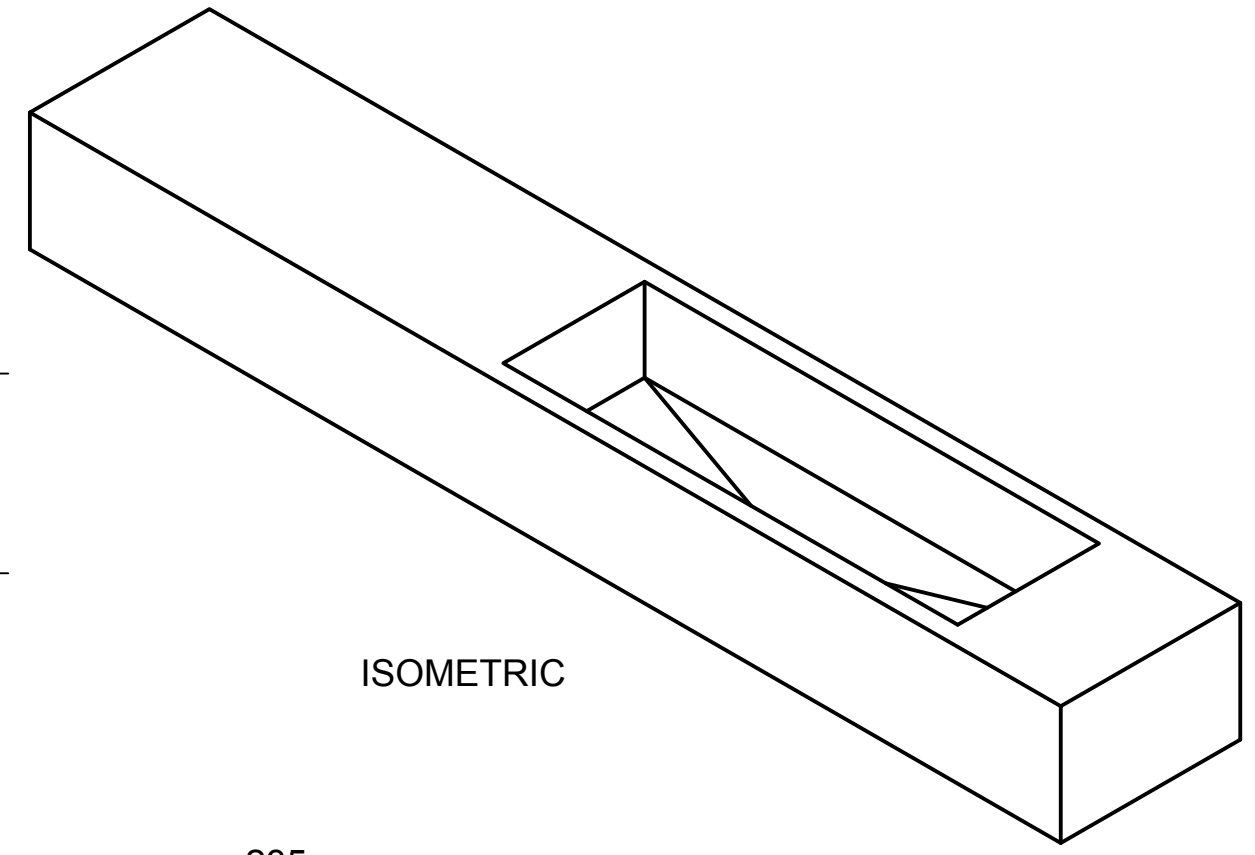
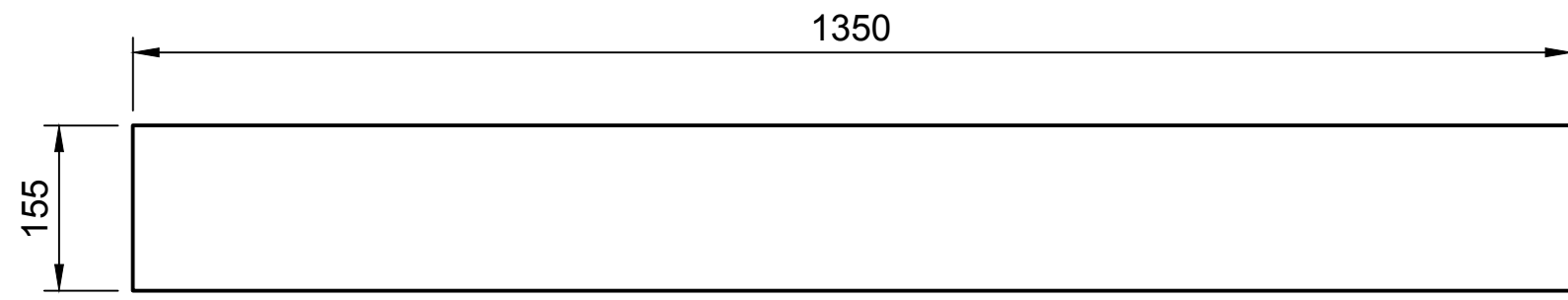


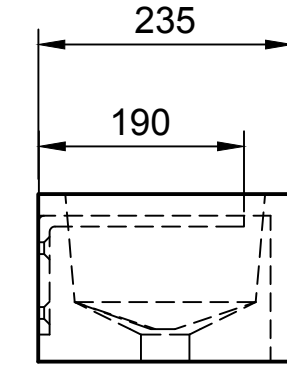
TOP



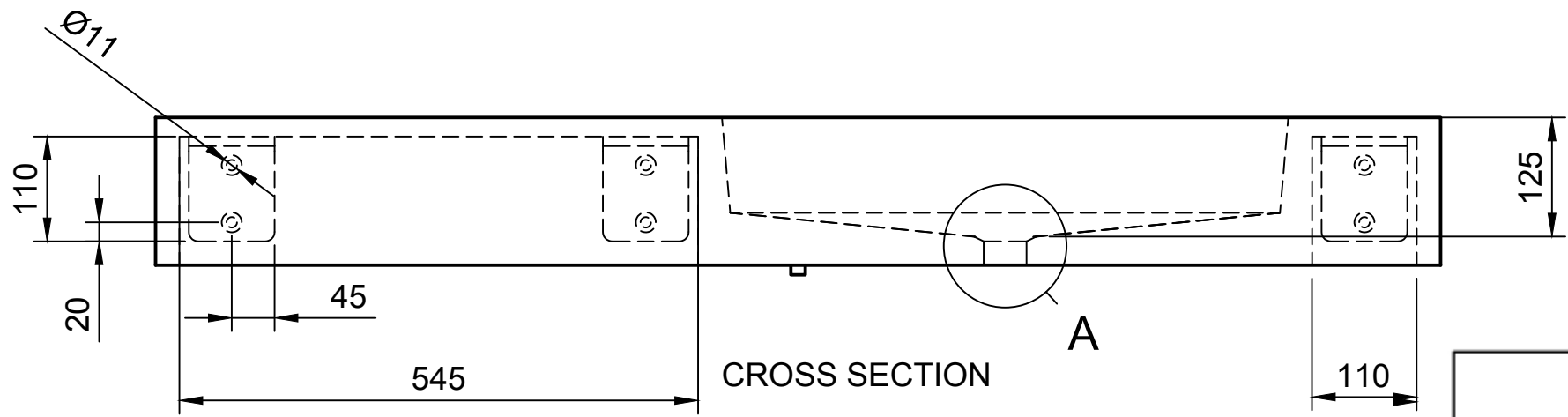
ISOMETRIC



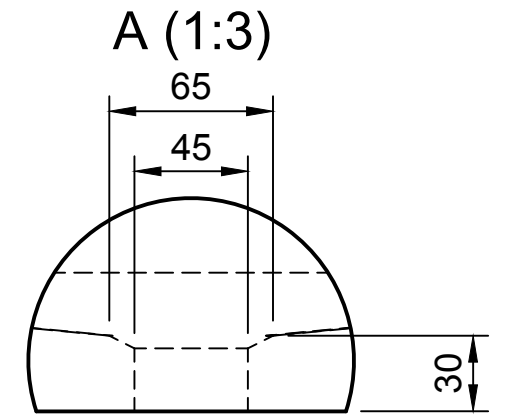
FRONT



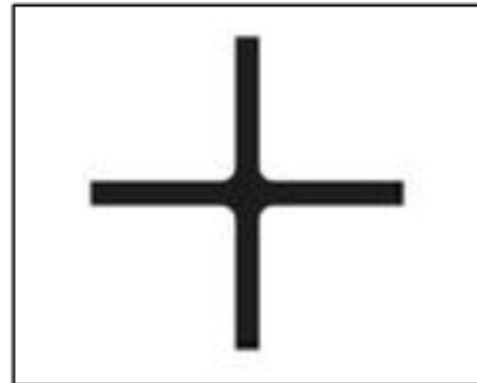
SIDE



CROSS SECTION



A (1:3)



WARRINGTON + ROSE

BRUTON - RH

1350 X 235 X 155