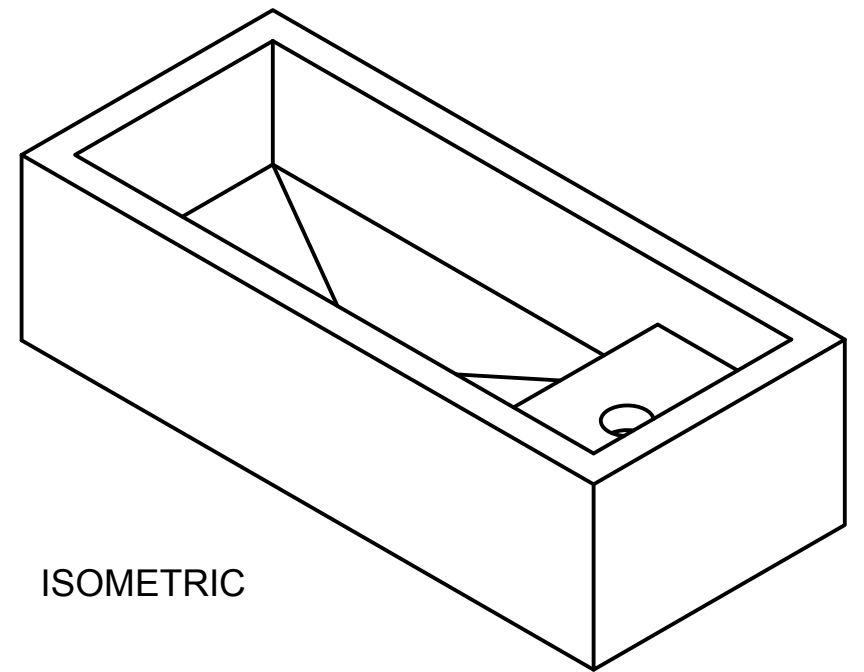


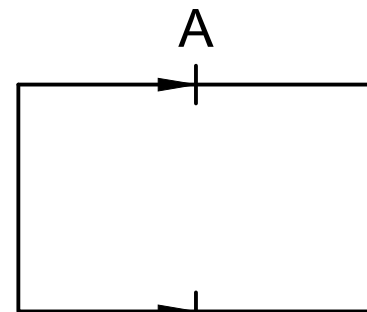
TOP



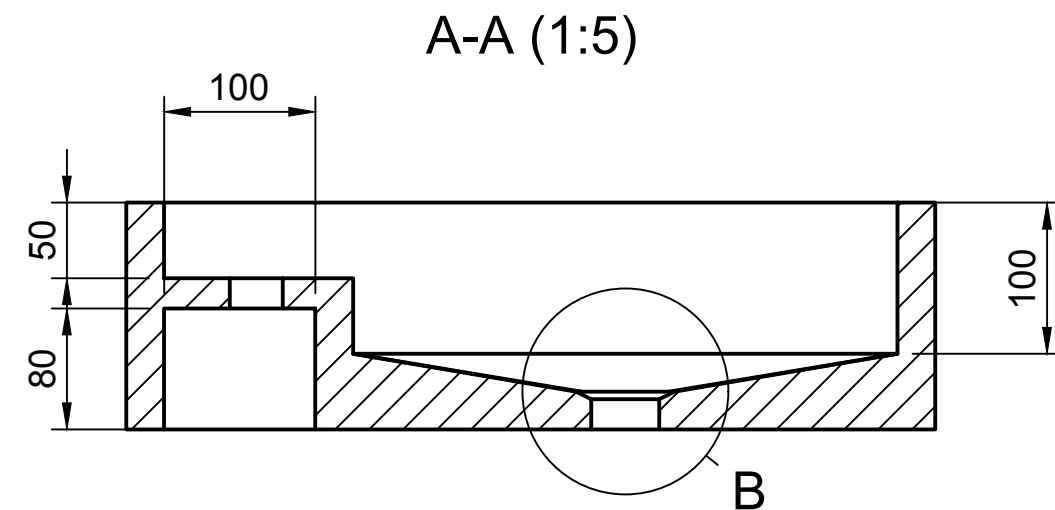
ISOMETRIC



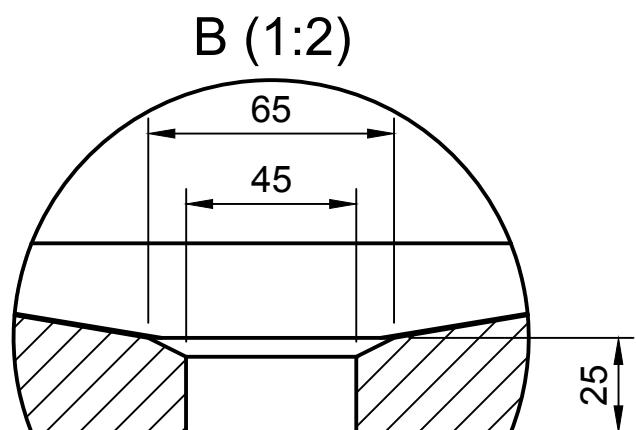
FRONT



SIDE



A-A (1:5)



B (1:2)

| | |
|--|---|
| | <p>WARRINGTON + ROSE</p> |
| | <p>ESME</p> <p>535 X 235 X 150</p> |