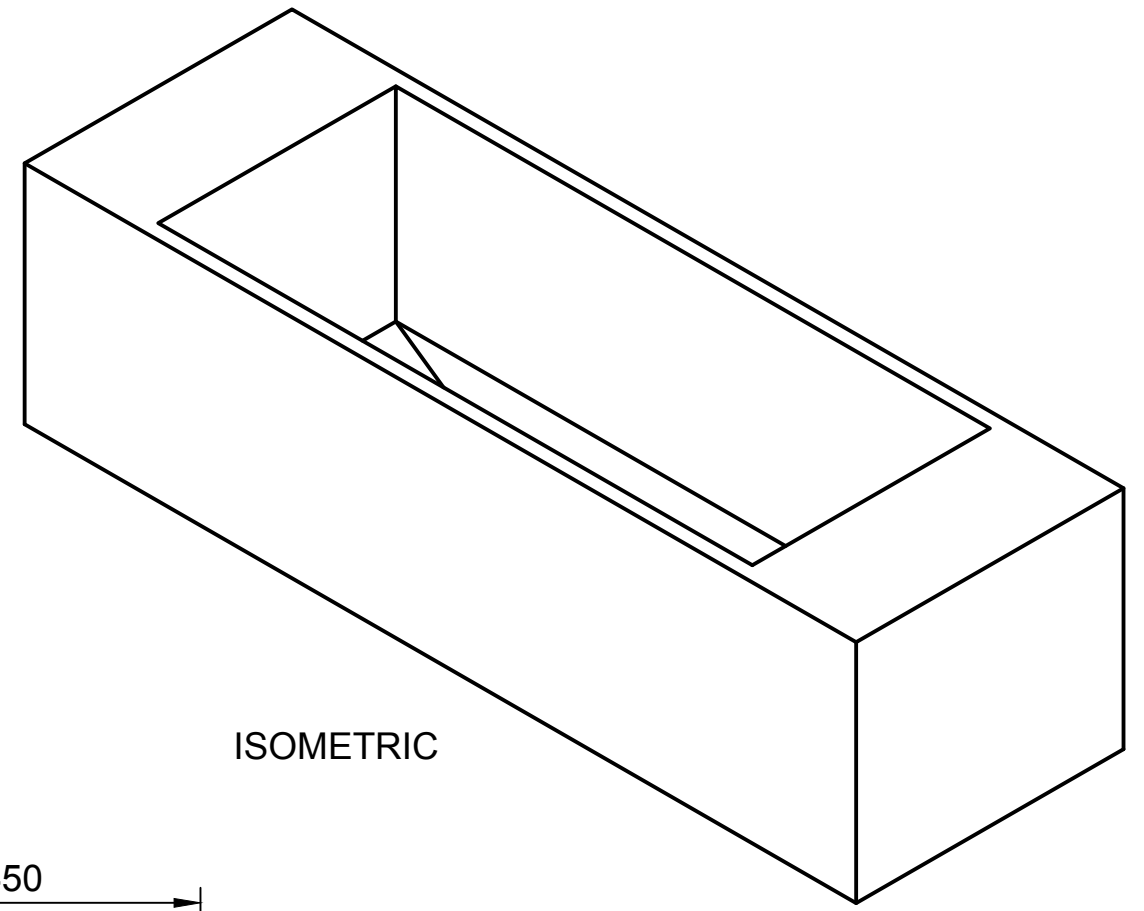
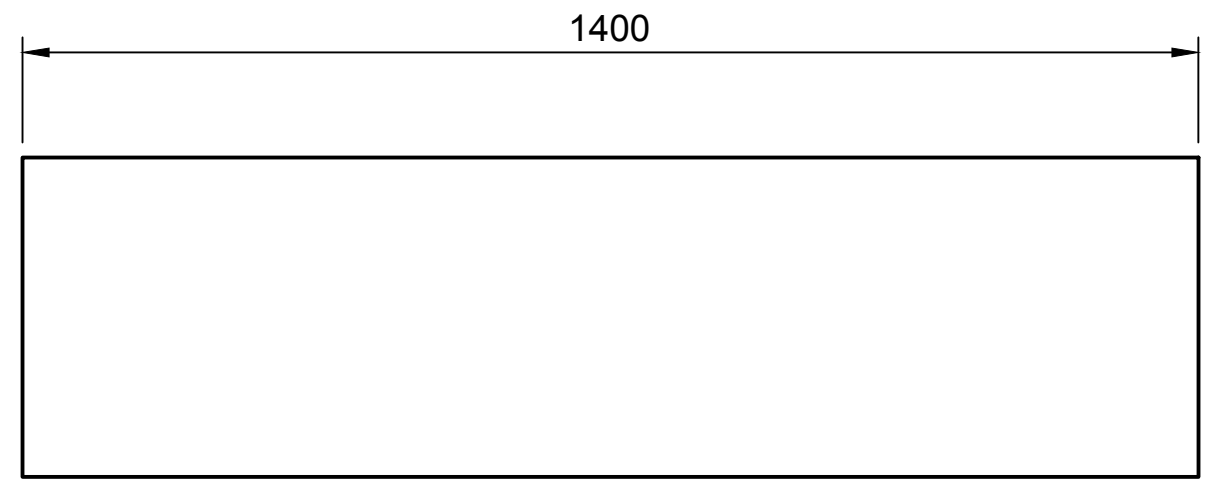


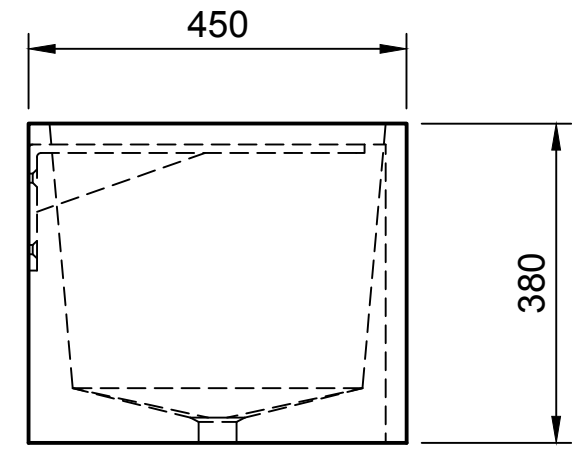
TOP



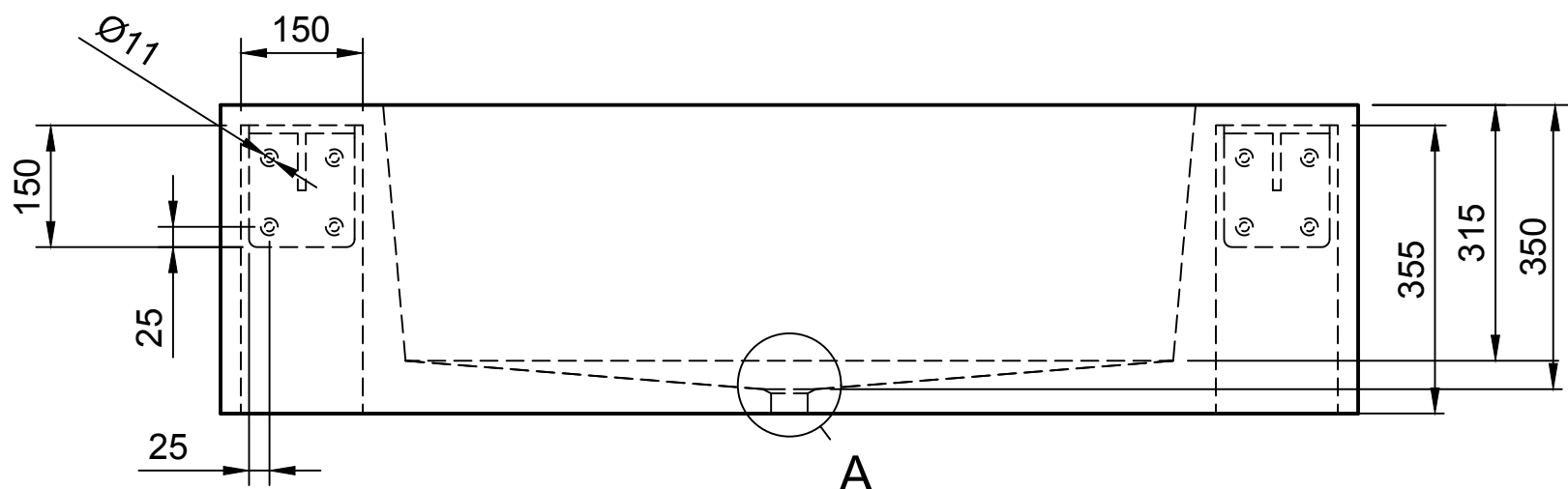
ISOMETRIC



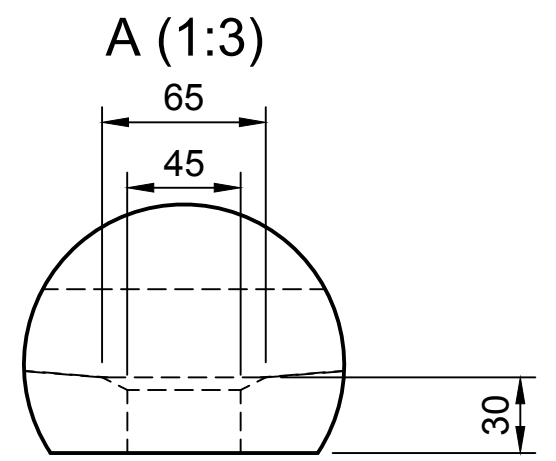
FRONT



SIDE



CROSS SECTION



	<p>WARRINGTON + ROSE</p>
	<p><b>GROOT</b></p> <p>1400 X 450 X 380</p>