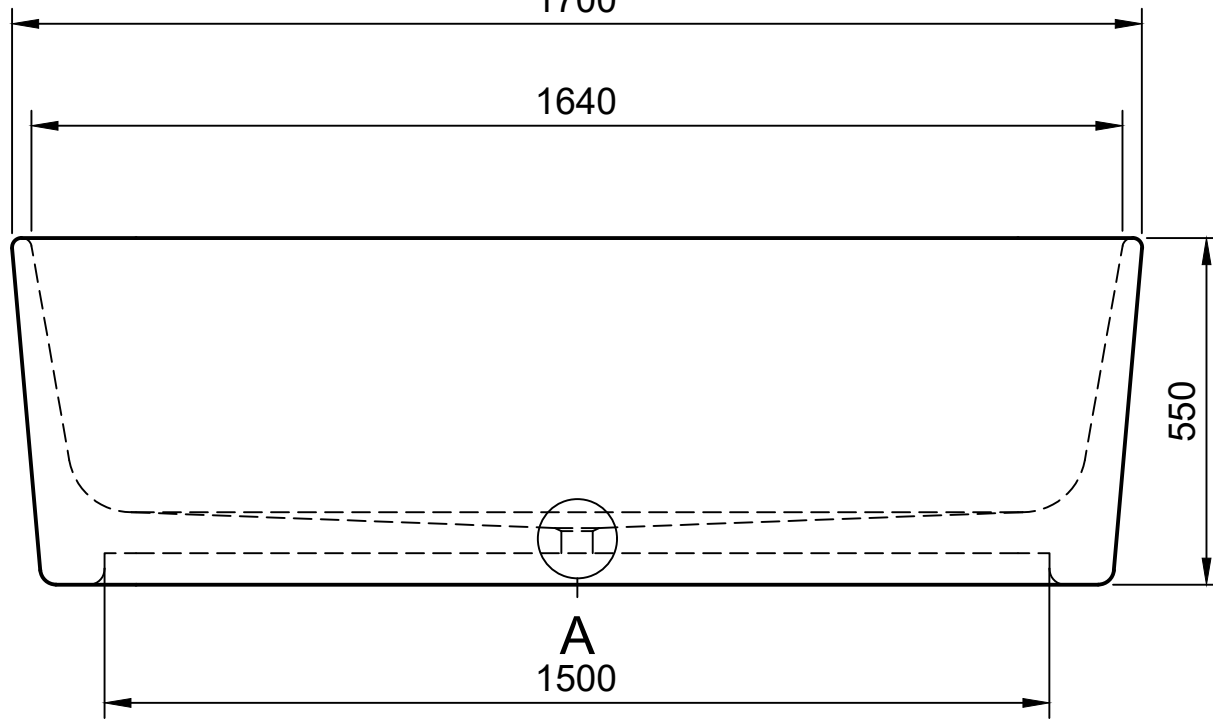


TOP

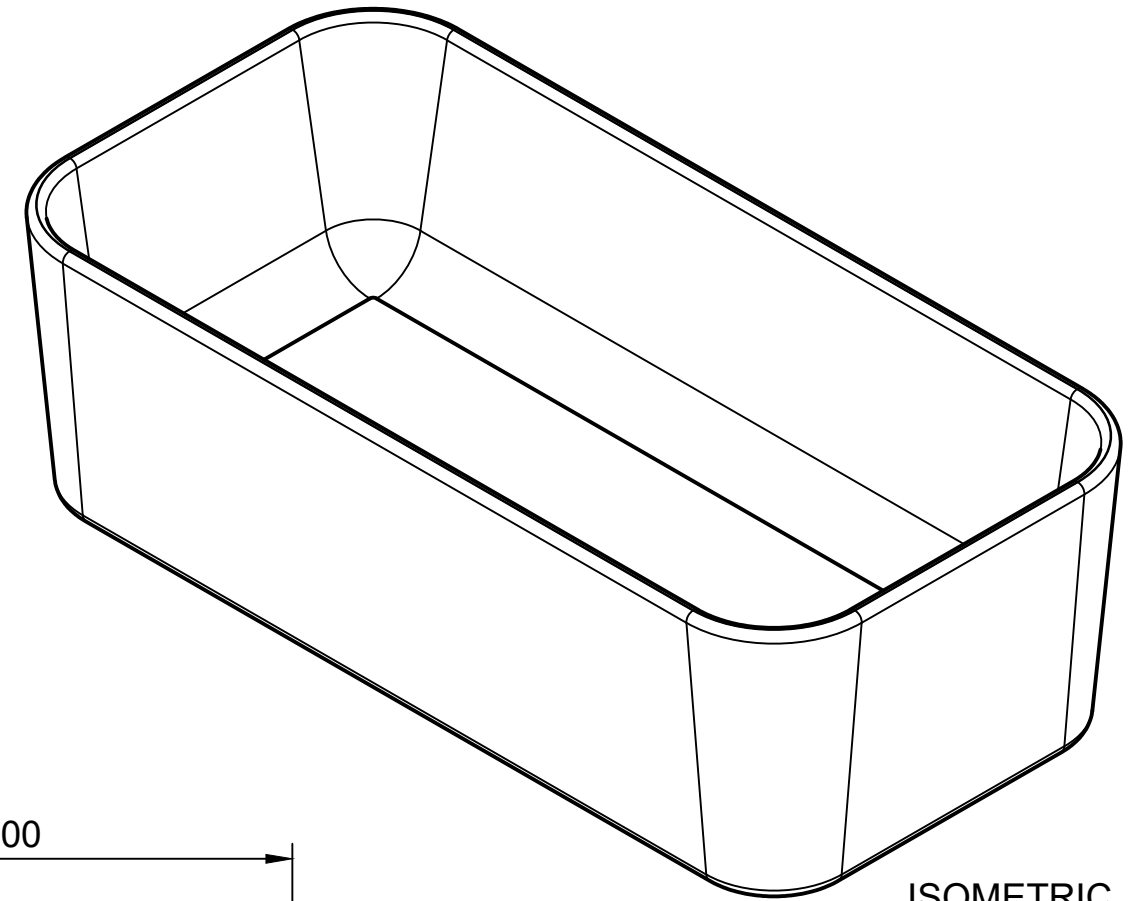
1700

1640

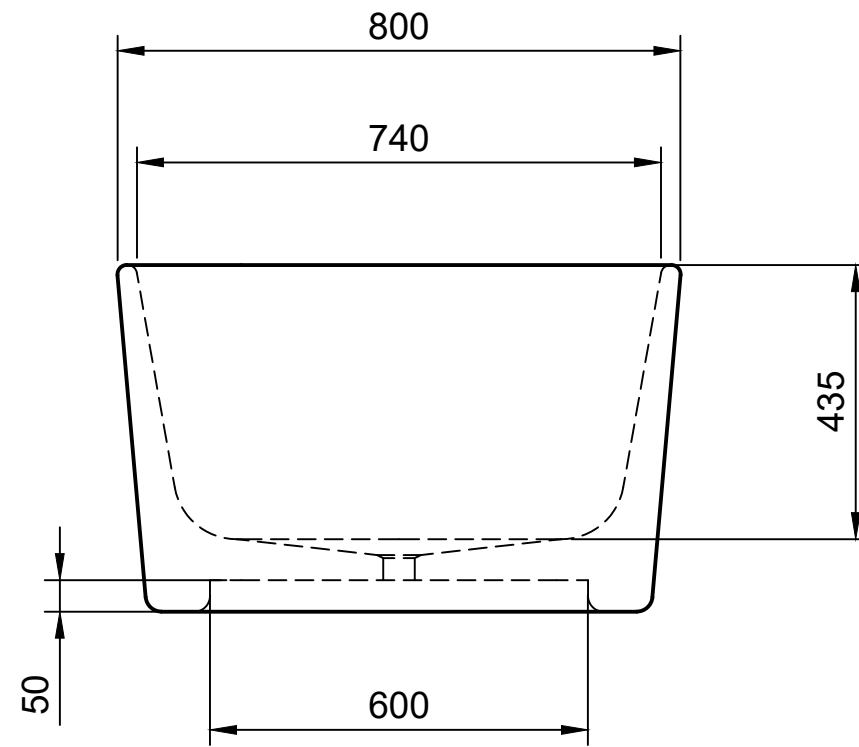


A
1500

FRONT



ISOMETRIC

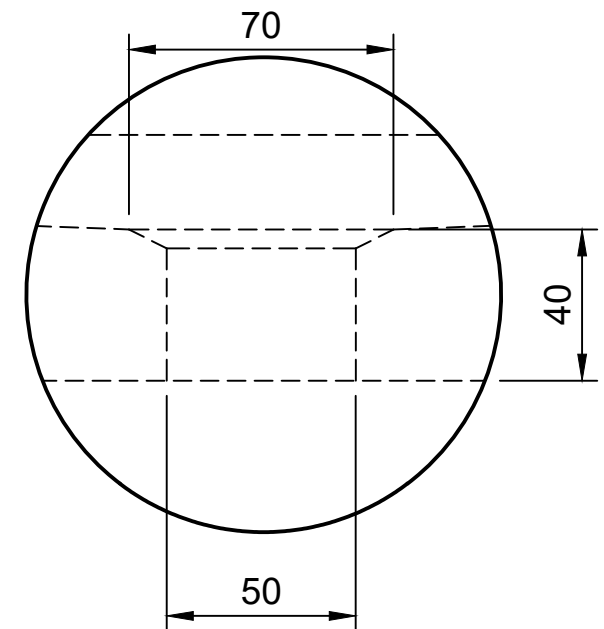


50

600

SIDE

A (1:2)



70

40

50

+	Created by DM	30/07/21	Approved by MT	30/07/21
	Document type WR - TAD		Document status PENDING	
	Title WR SION		DWG No. SION - 1	
			Date of issue 30/07/21	Sheet 1/1