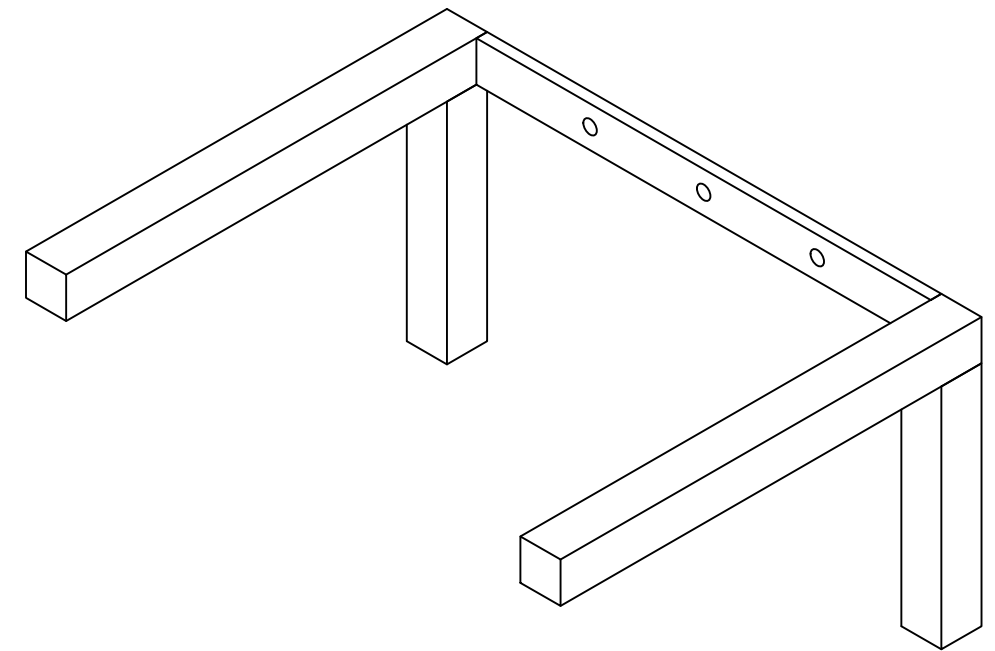
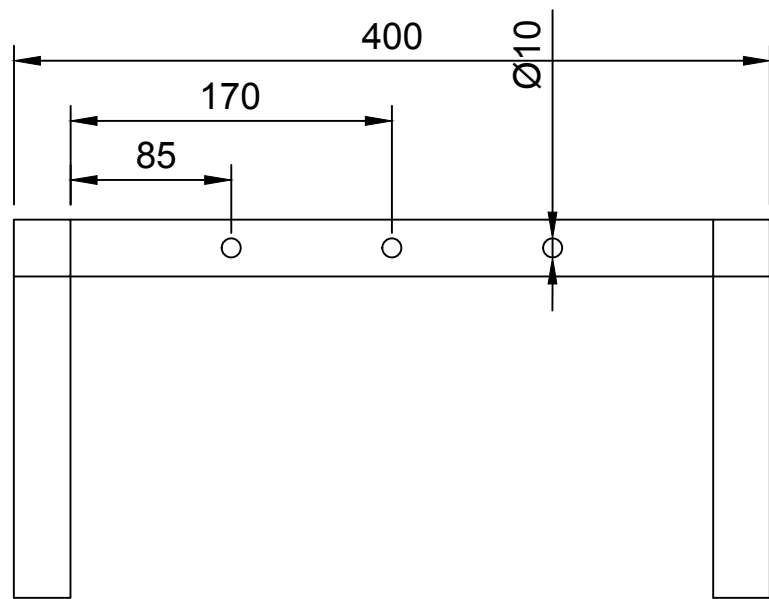


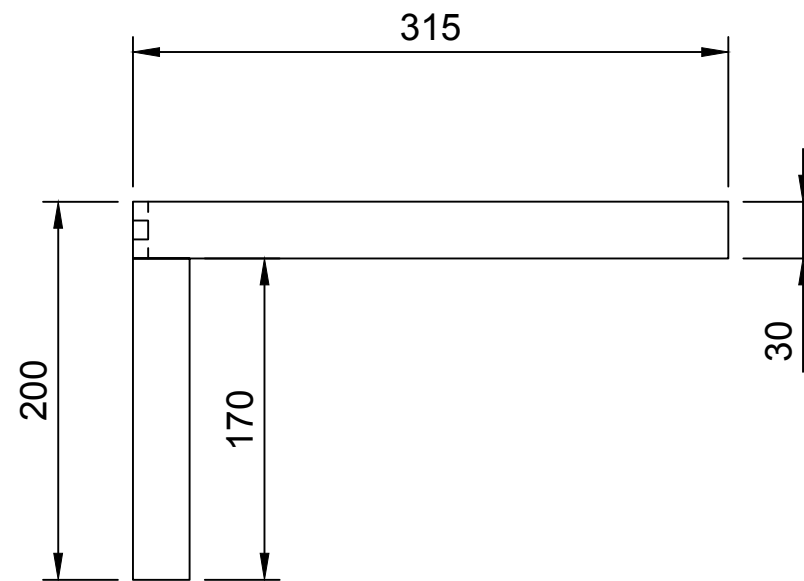
TOP




ISOMETRIC



FRONT



SIDE

	Created by DAVE MORRIS 01/04/21	Approved by MICHAEL THORP 01/04/21
	Document type WRTAD	Document status COMPLETE
	Title MEDIUM ROUND 30MM X 30MM	DWG No. WRMRB
	Date of issue 01/04/21	Sheet 1/1