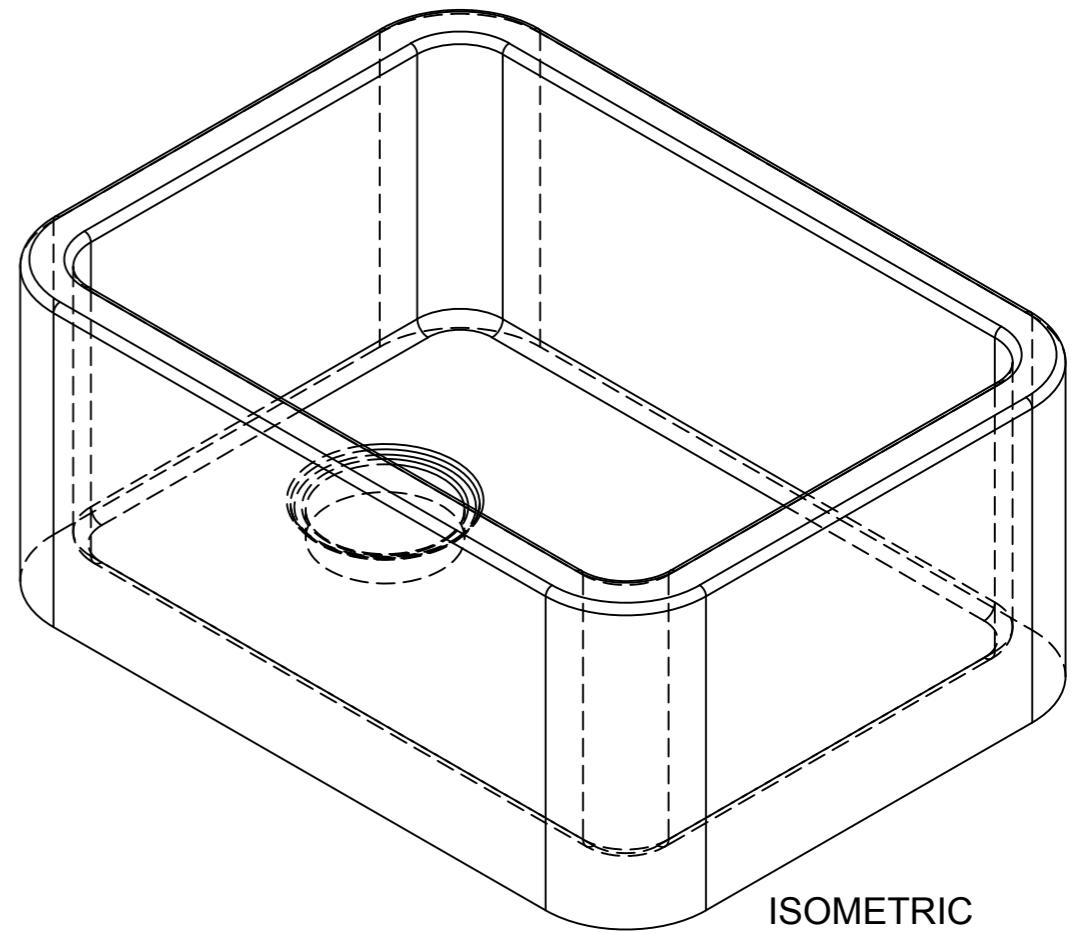
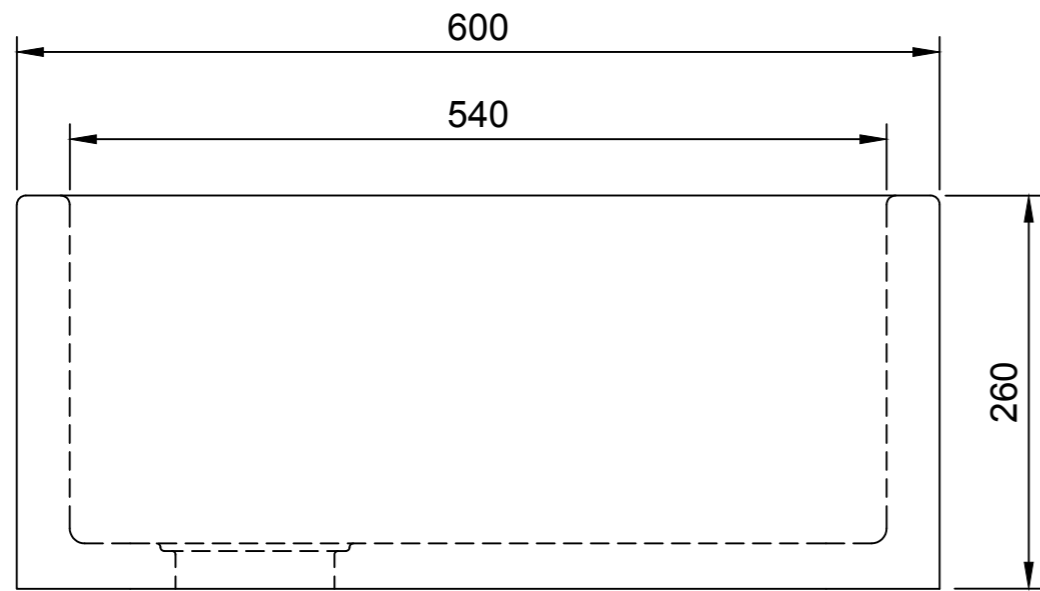


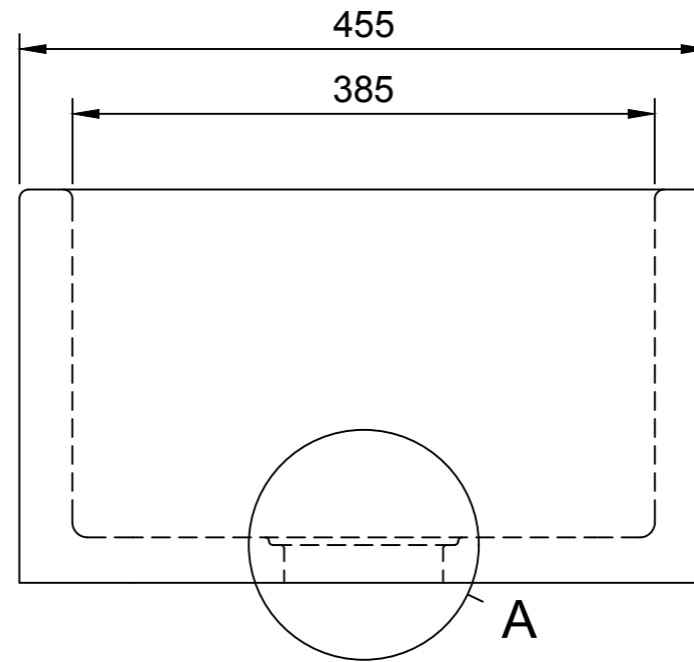
TOP



ISOMETRIC

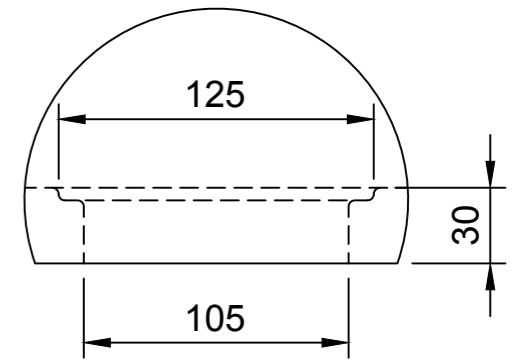


FRONT



SIDE

A (1:3)



	<p>WARRINGTON + ROSE</p>
	<p><b>MARB</b></p> <p>600 X 455 X 260</p>