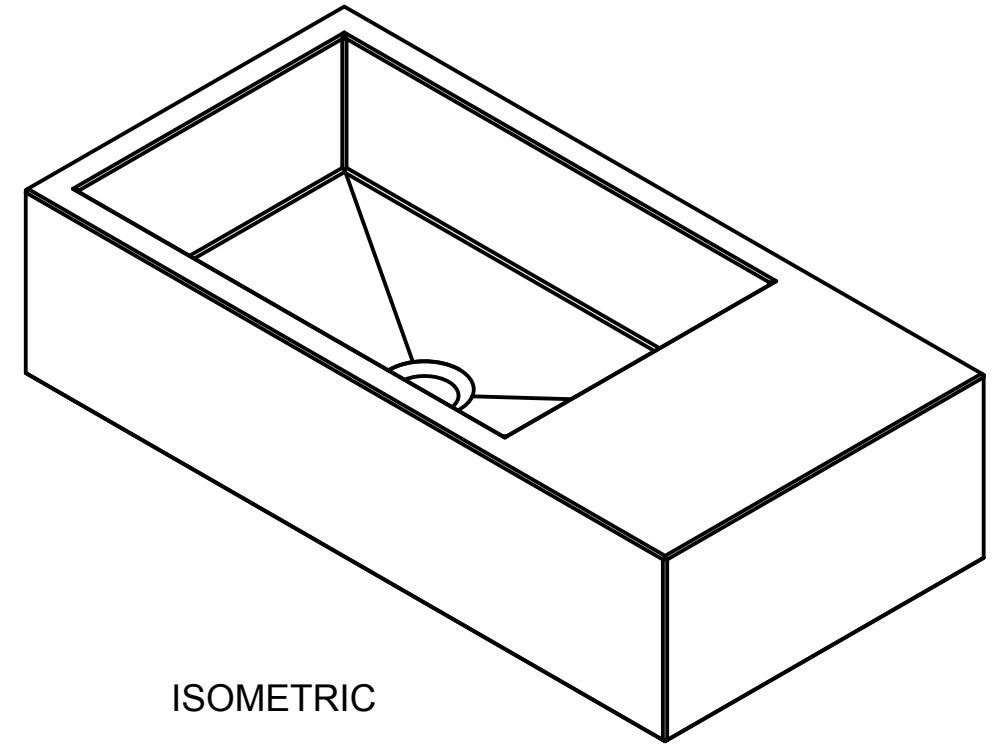
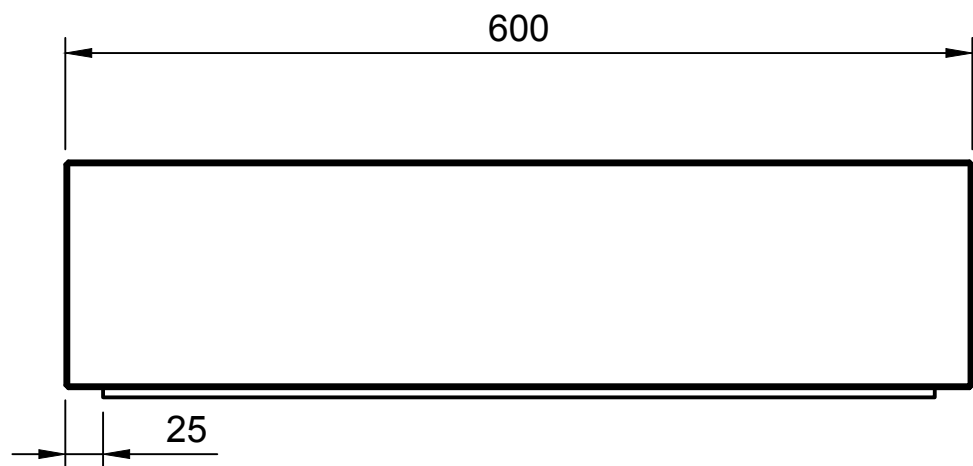


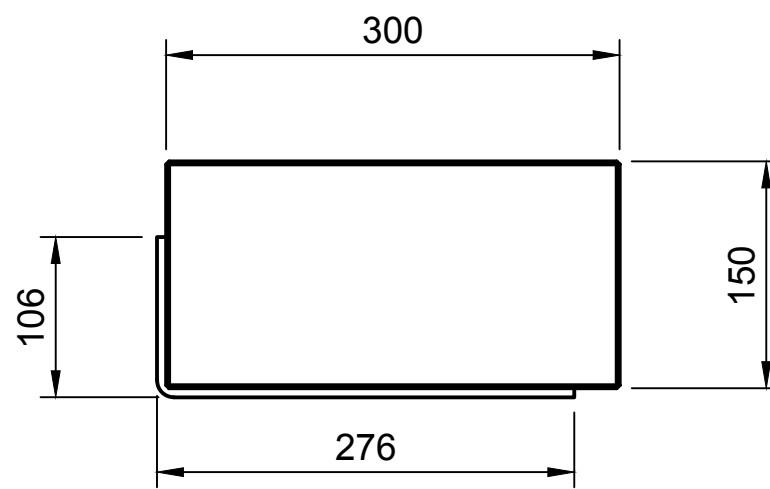
TOP



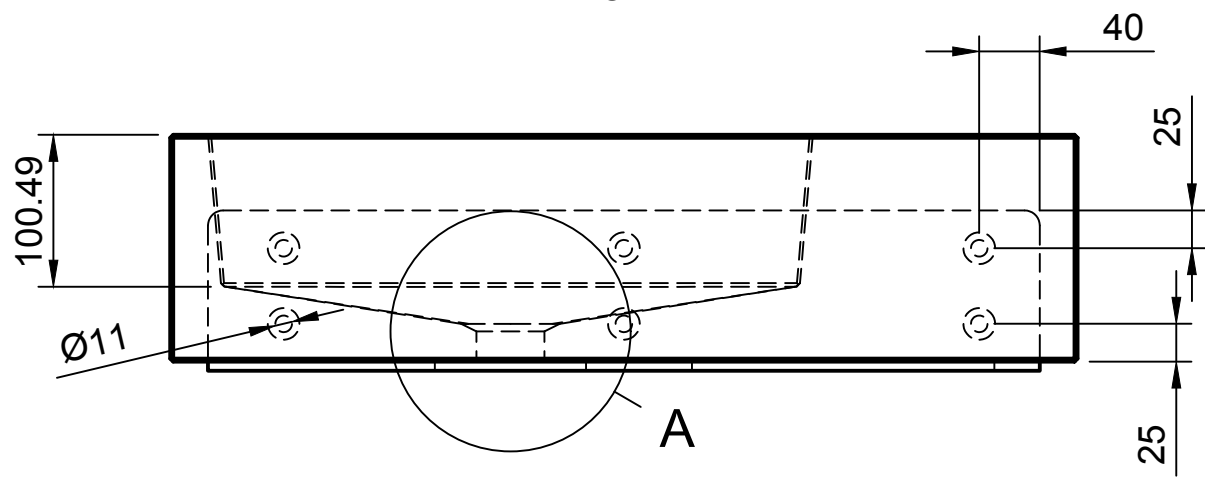
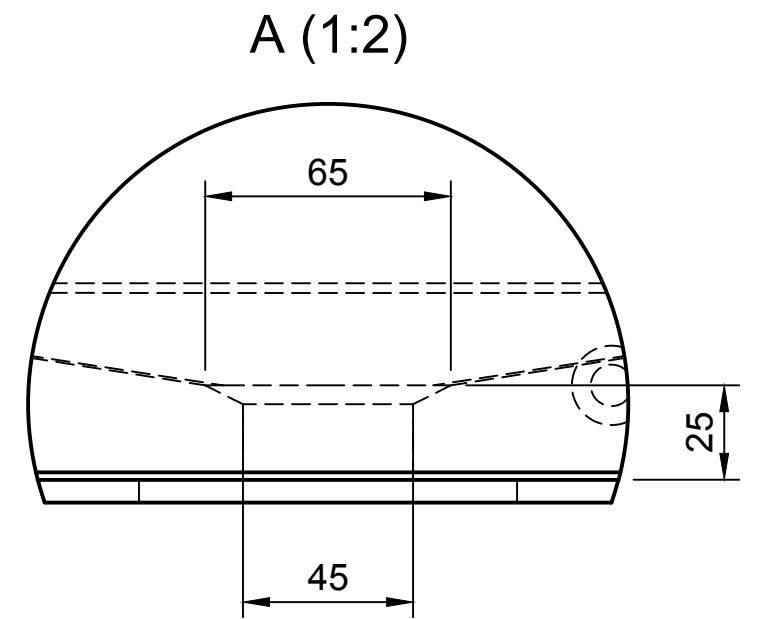
ISOMETRIC



FRONT



SIDE



CROSS SECTION

	<p>WARRINGTON + ROSE</p>
	<p><b>PHOEBE</b></p> <p>600 X 300 X 150</p>