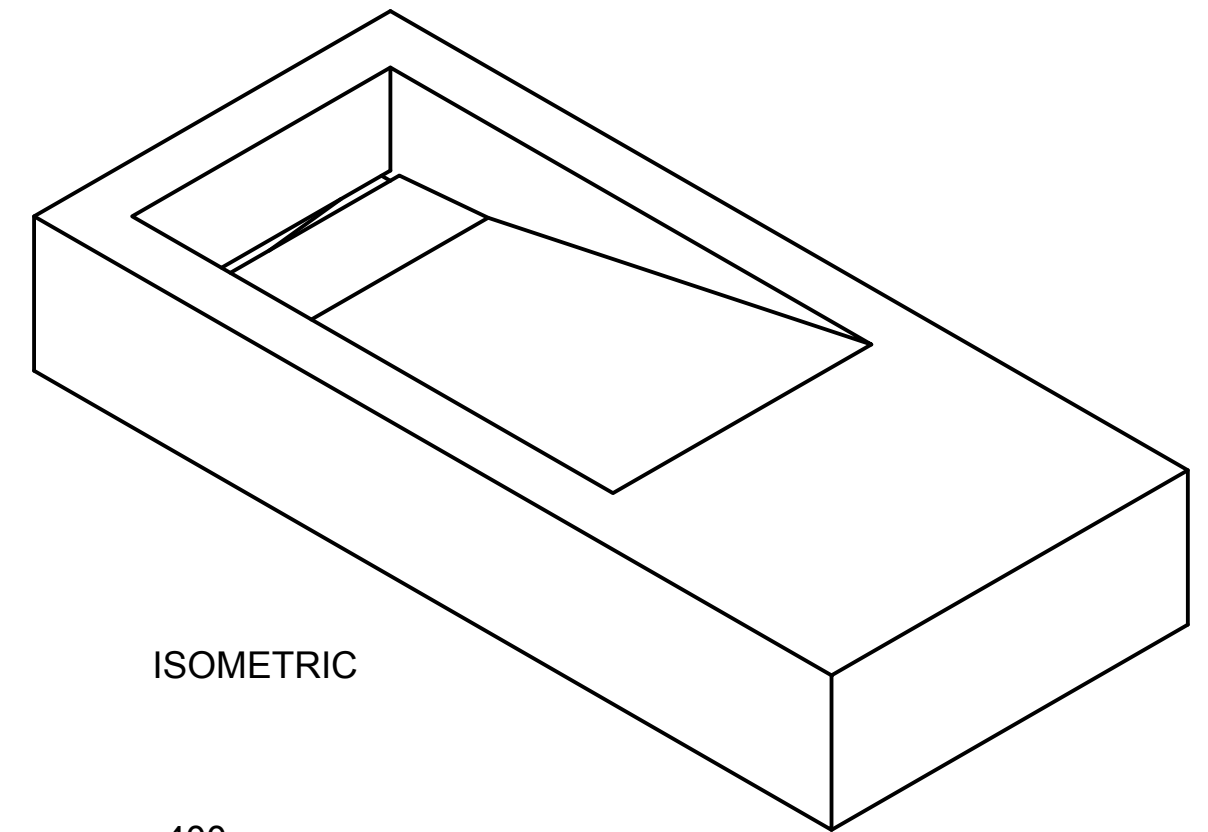
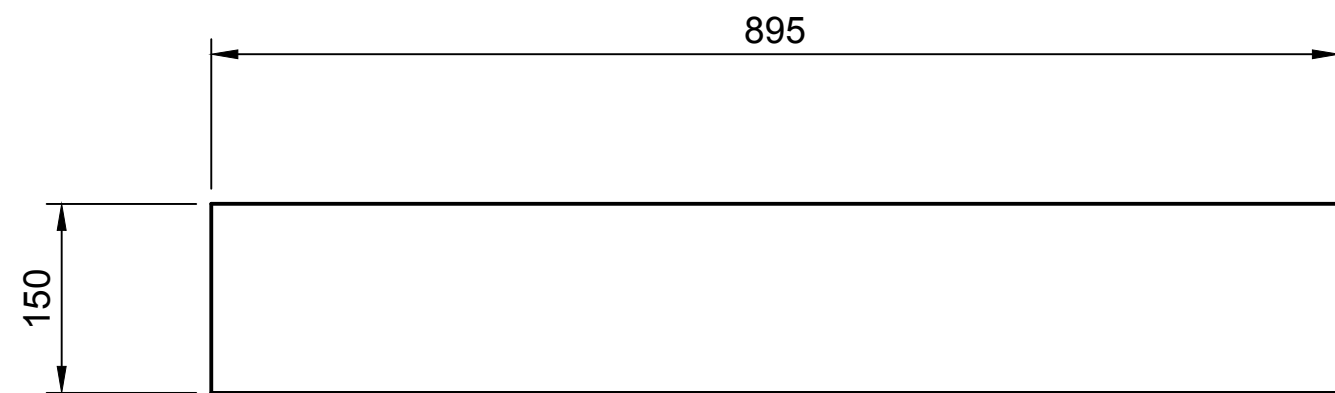


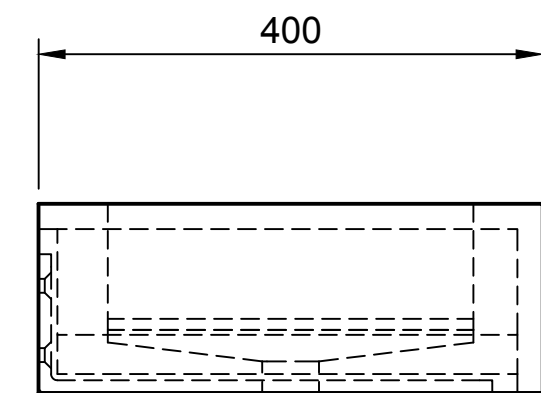
TOP



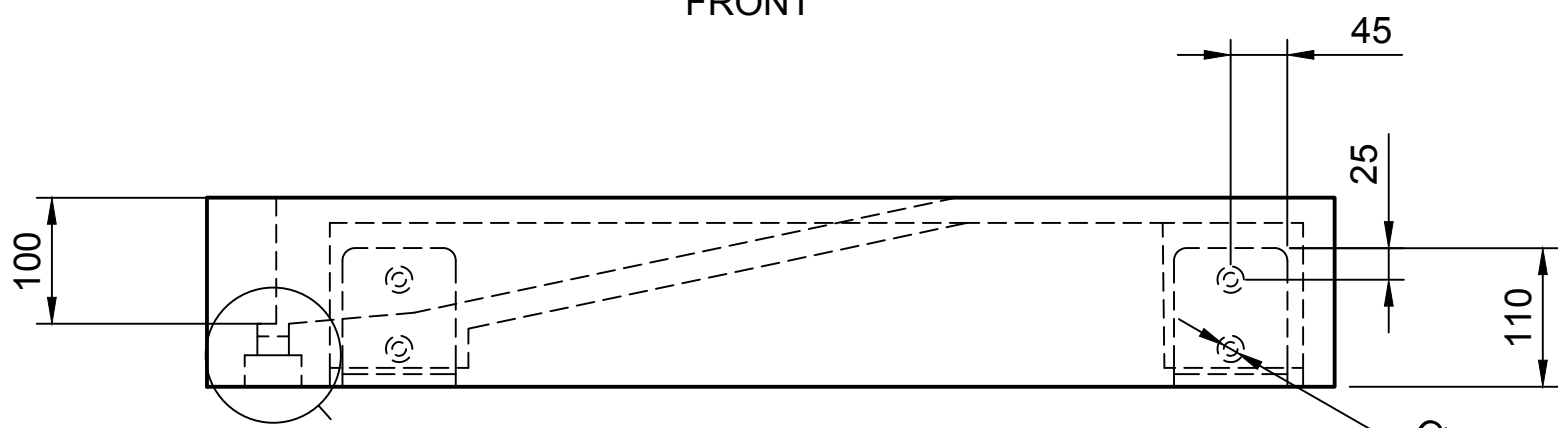
ISOMETRIC



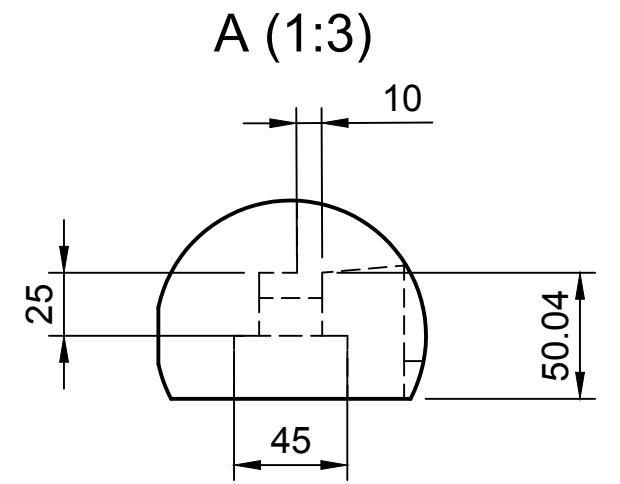
FRONT



SIDE



CROSS SECTION



A (1:3)

	<p>WARRINGTON + ROSE</p>
	<p>TRENT</p> <p>895 X 400 X 150</p>