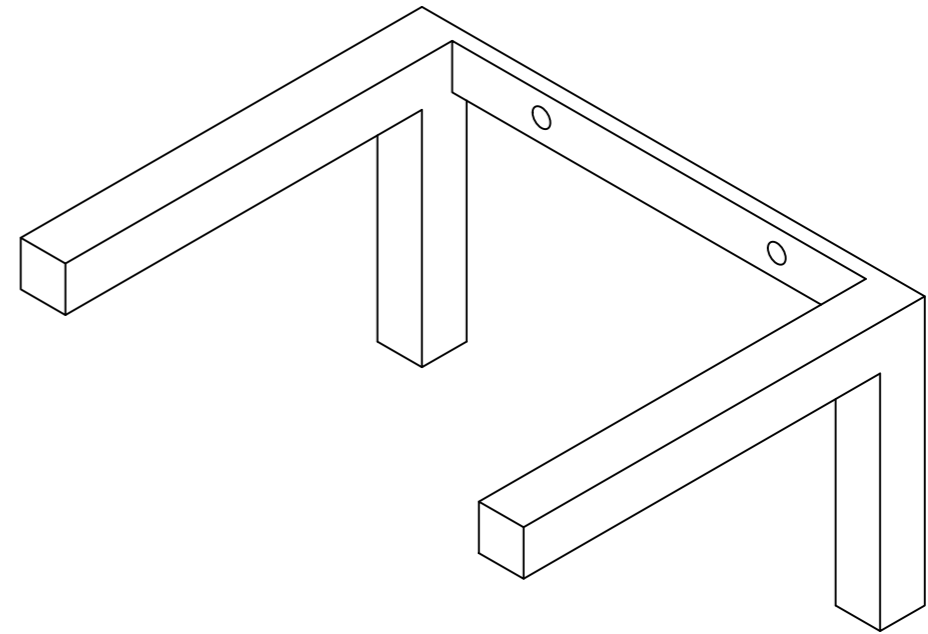
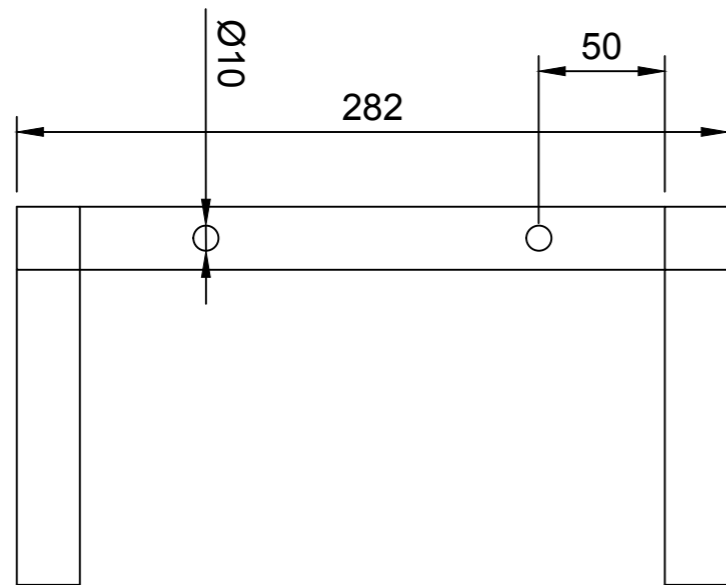


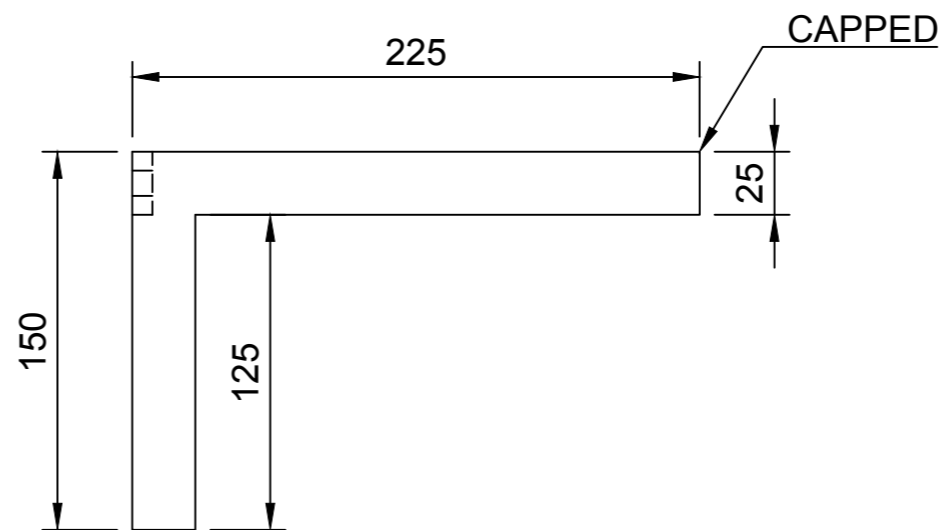
TOP



ISOMETRIC



FRONT



SIDE

| | |
|--|---------------------------------------|
| | <p>WARRINGTON + ROSE</p> |
| | <p>STANDARD BRACKET</p> |
| | <p>VASO SMALL 310 X 265 X 155</p> |