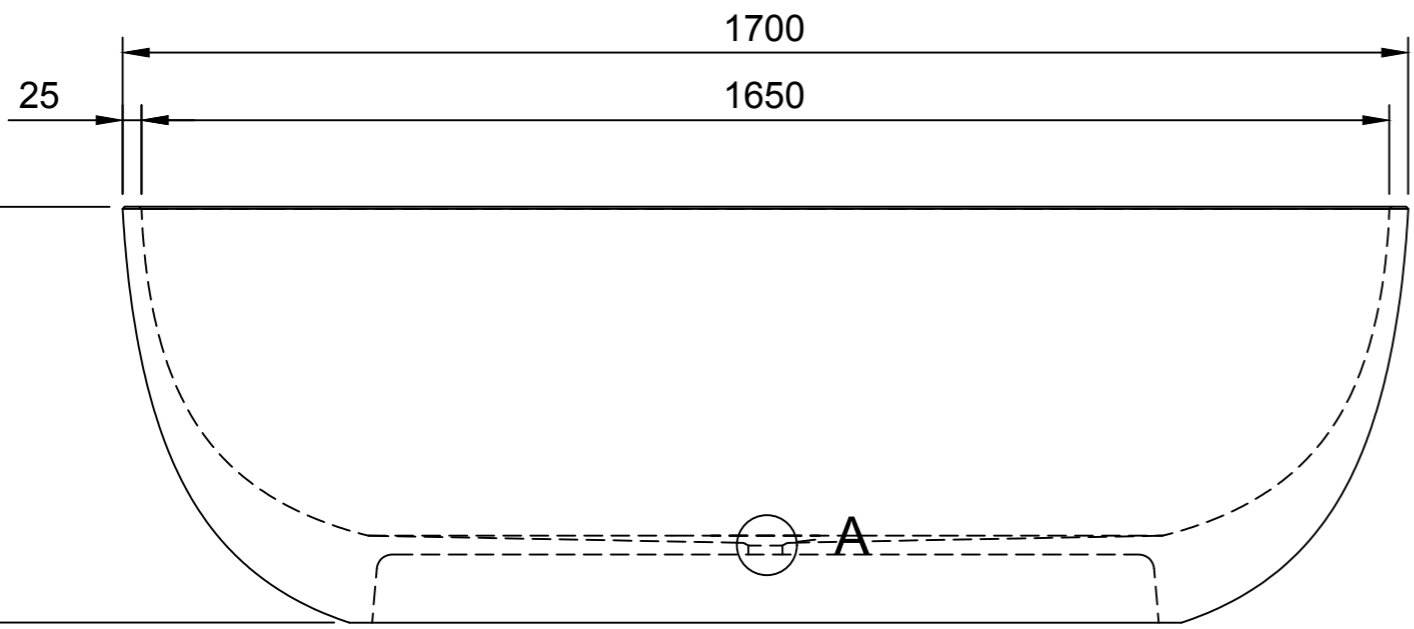
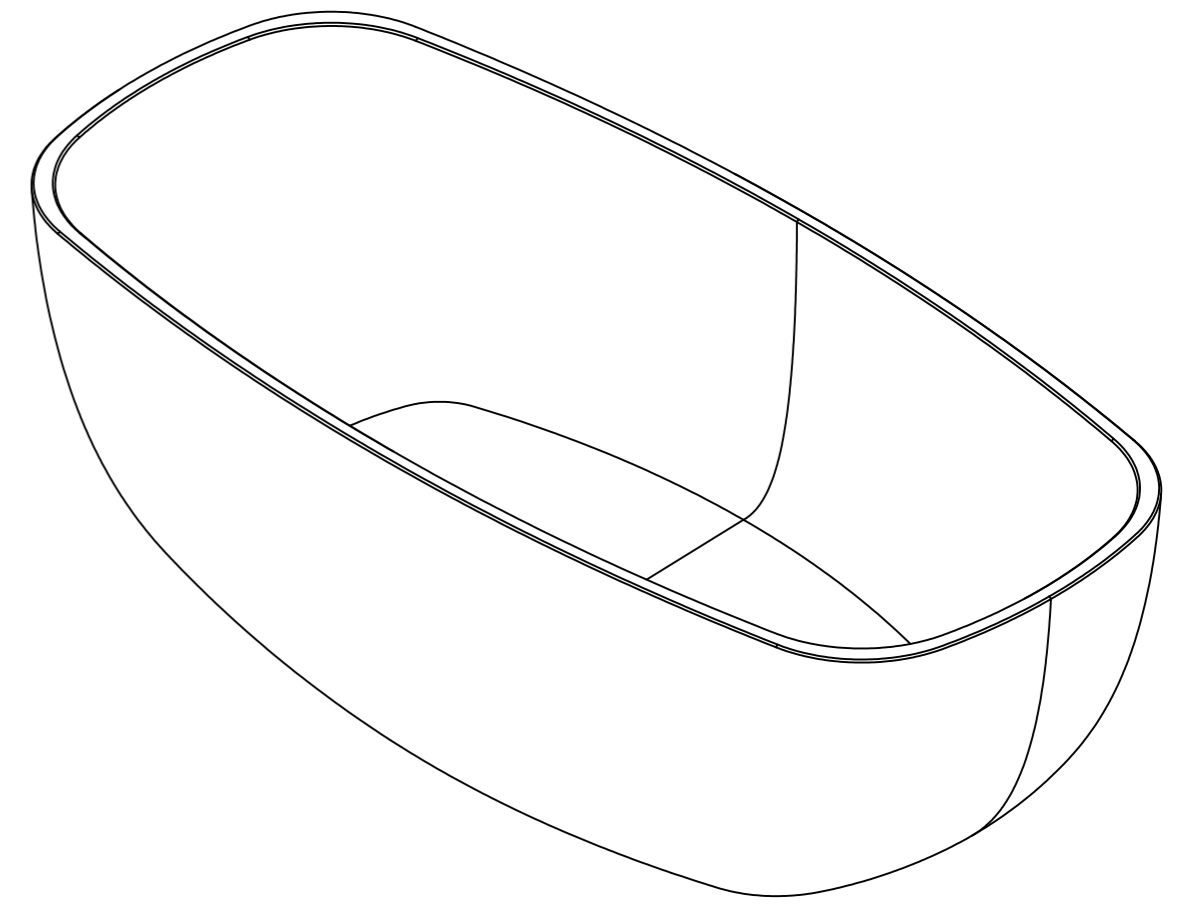


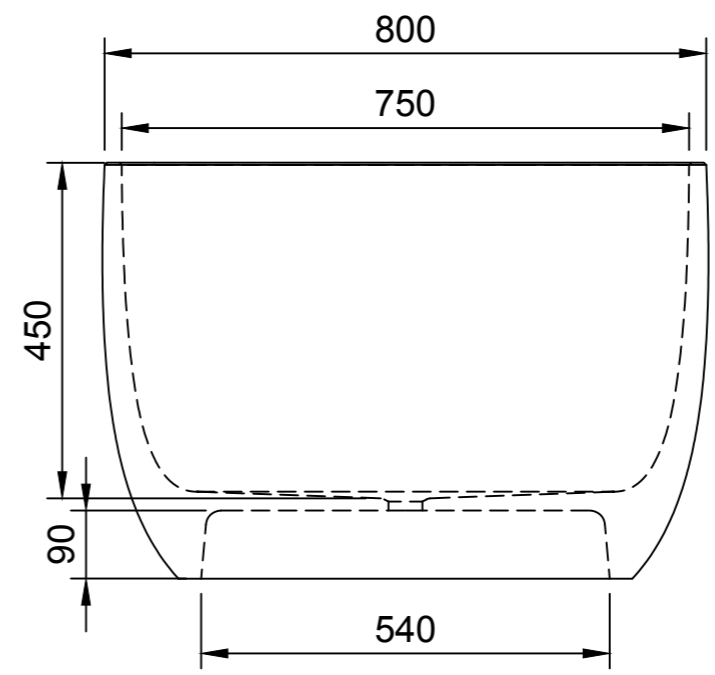
TOP



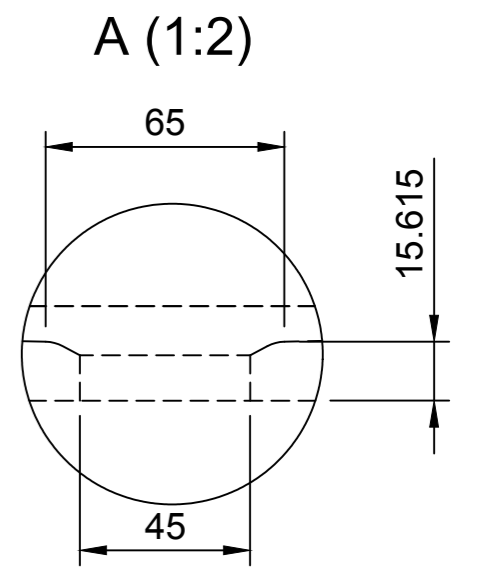
FRONT



ISOMETRIC



SIDE



A (1:2)

	WARRINGTON + ROSE
	HEMA 1700 X 800 X 550