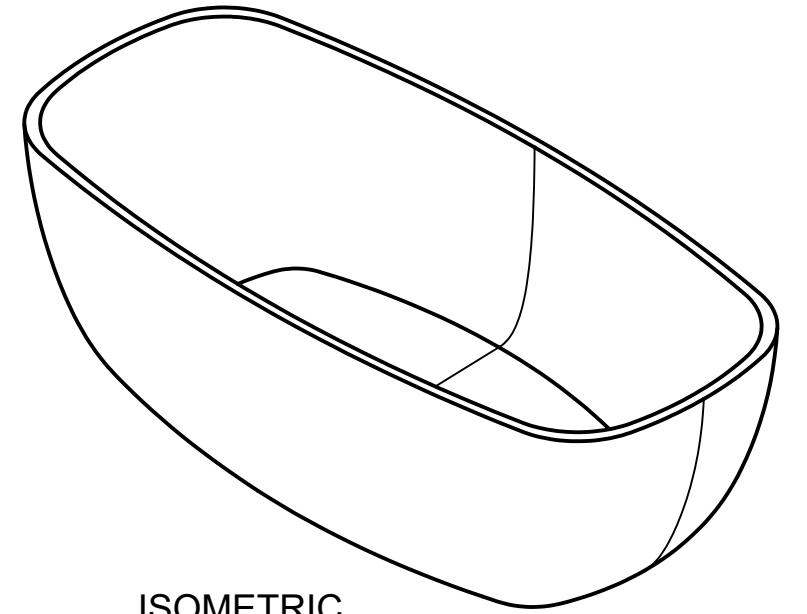
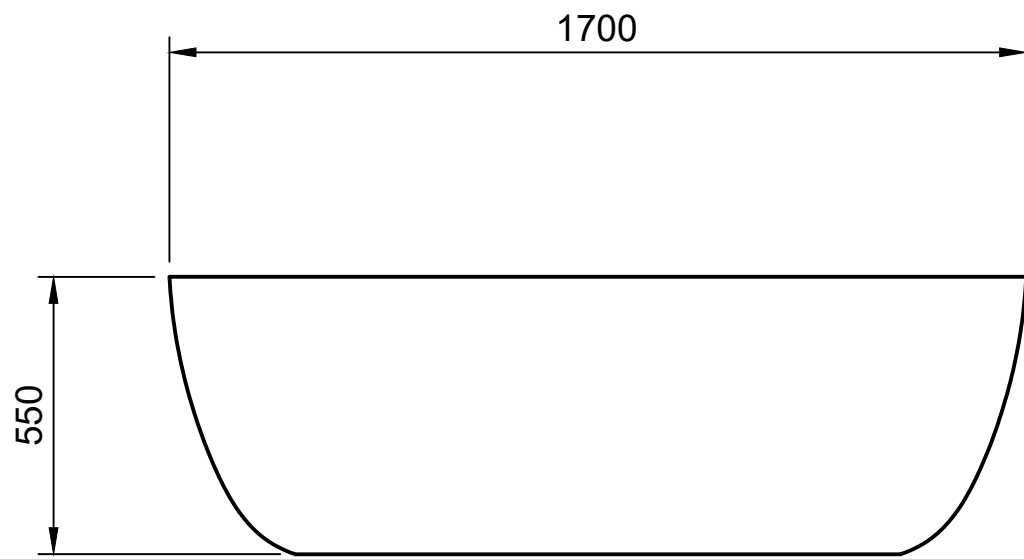


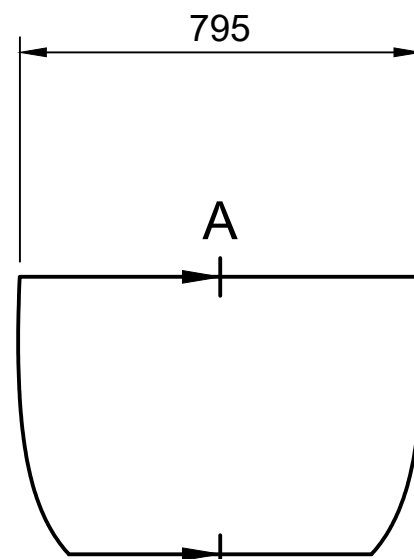
TOP



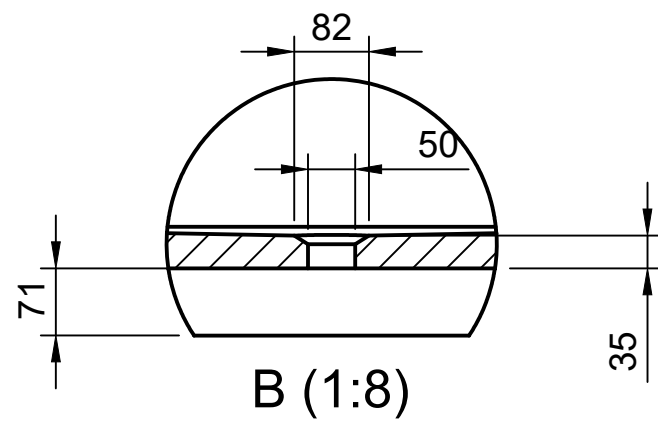
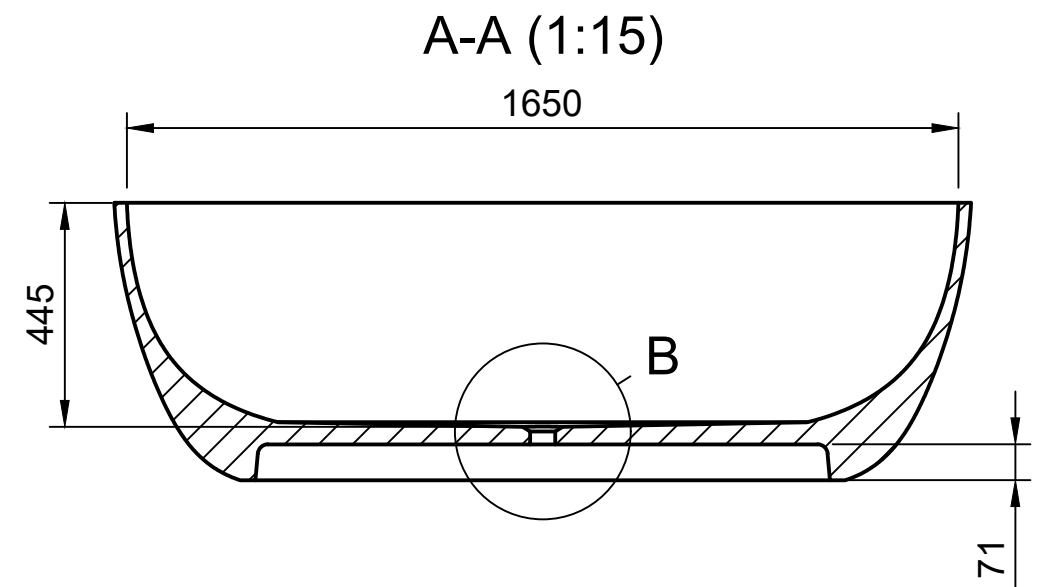
ISOMETRIC



FRONT



A  
SIDE



B (1:8)

+	Created by <b>DM</b>	30/10/24	Approved by <b>MT</b>	30/10/24
	Document type <b>WR - TAD</b>		Document status <b>PENDING</b>	
	Title <b>HEMA 1700</b>		DWG No. <b>HEMA - 1</b>	
			Date of issue <b>30/10/24</b>	Sheet <b>1/1</b>