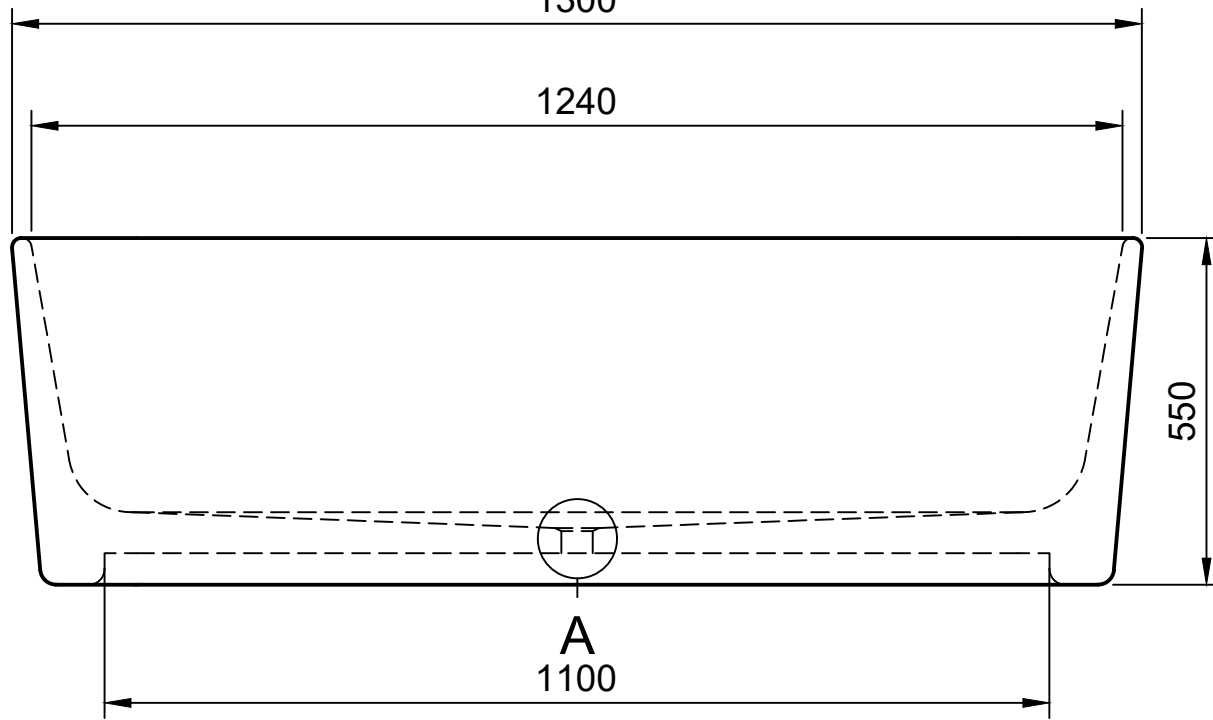


TOP

1300

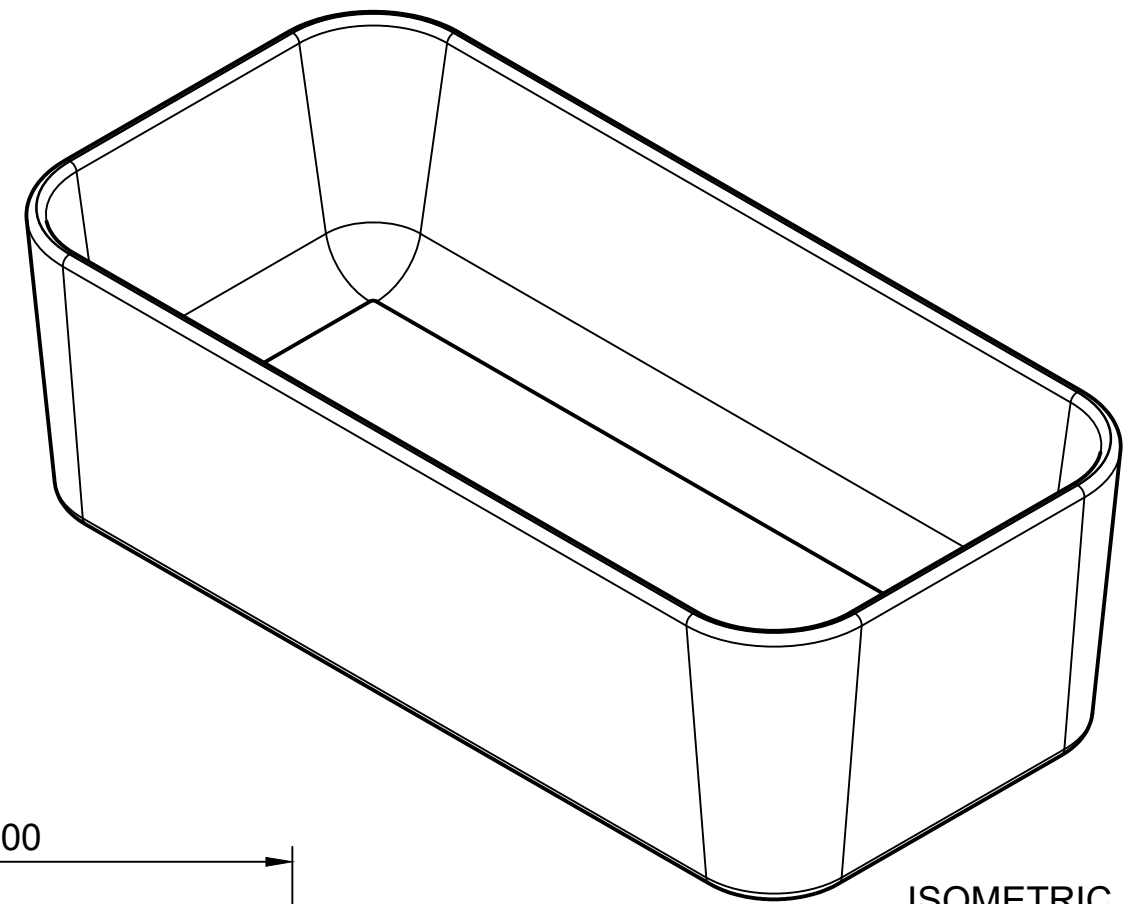
1240



550

A
1100

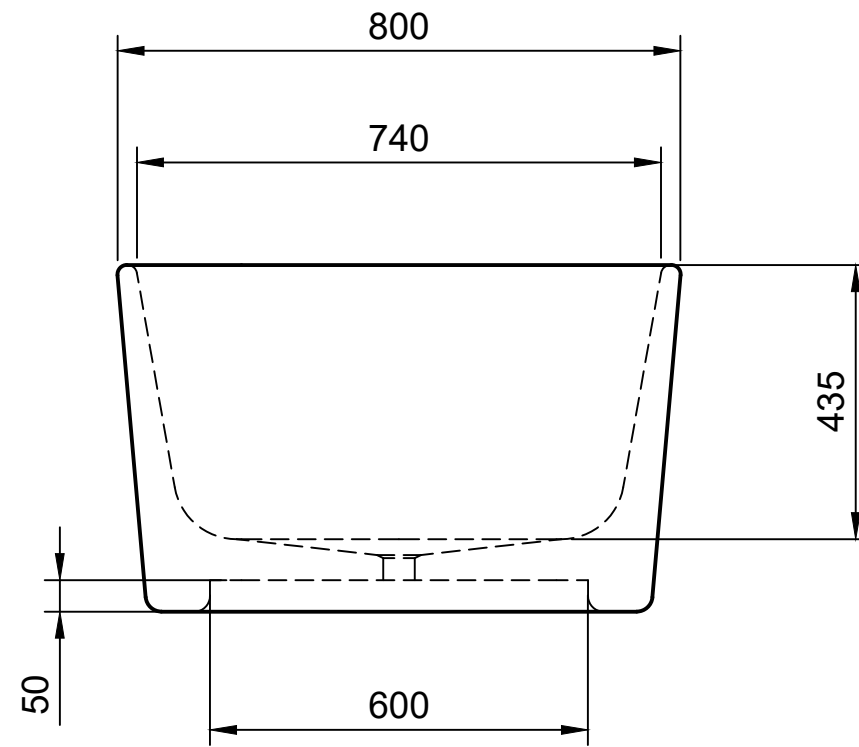
FRONT



ISOMETRIC

800

740



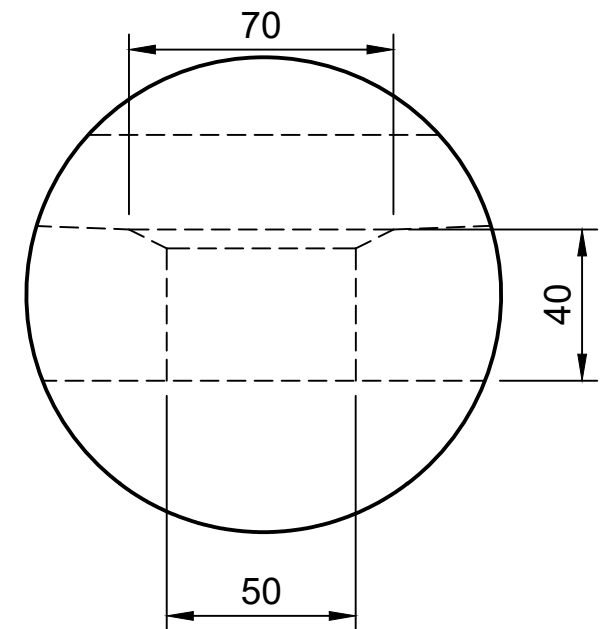
435

50

600

SIDE

A (1:2)



70

40

50

+	Created by DM	30/07/21	Approved by MT	30/07/21
	Document type WR - TAD		Document status PENDING	
	Title WR SION		DWG No. SION - 1	
			Date of issue 30/07/21	Sheet 1/1