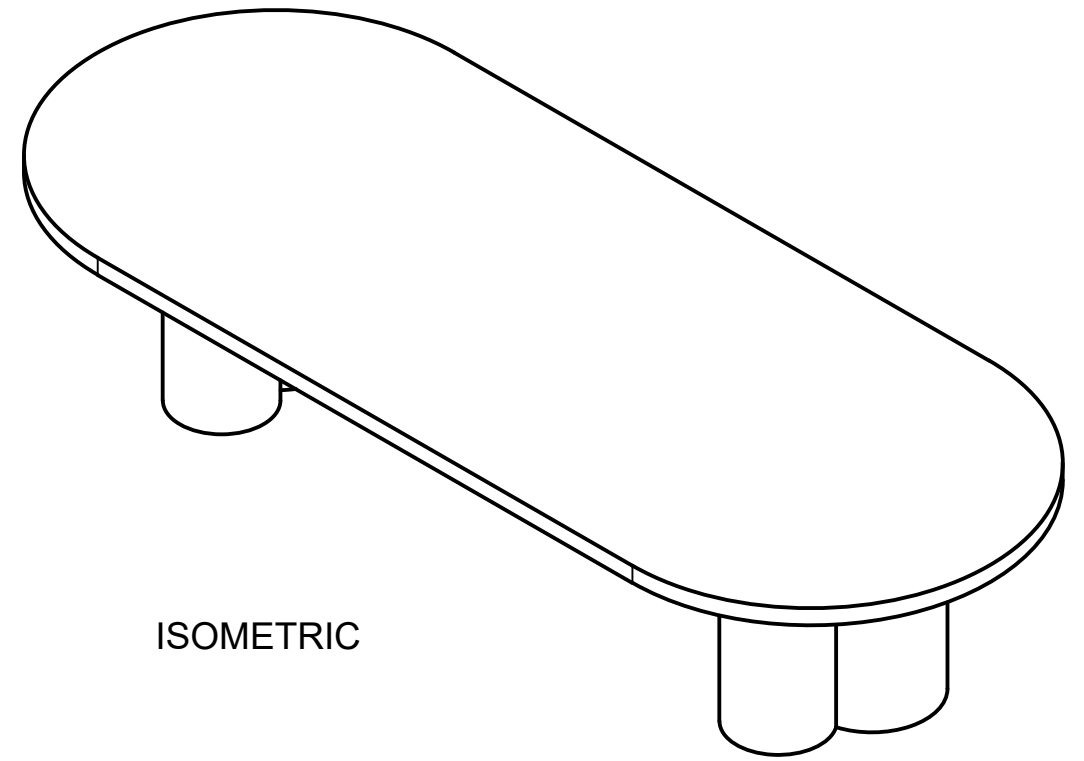
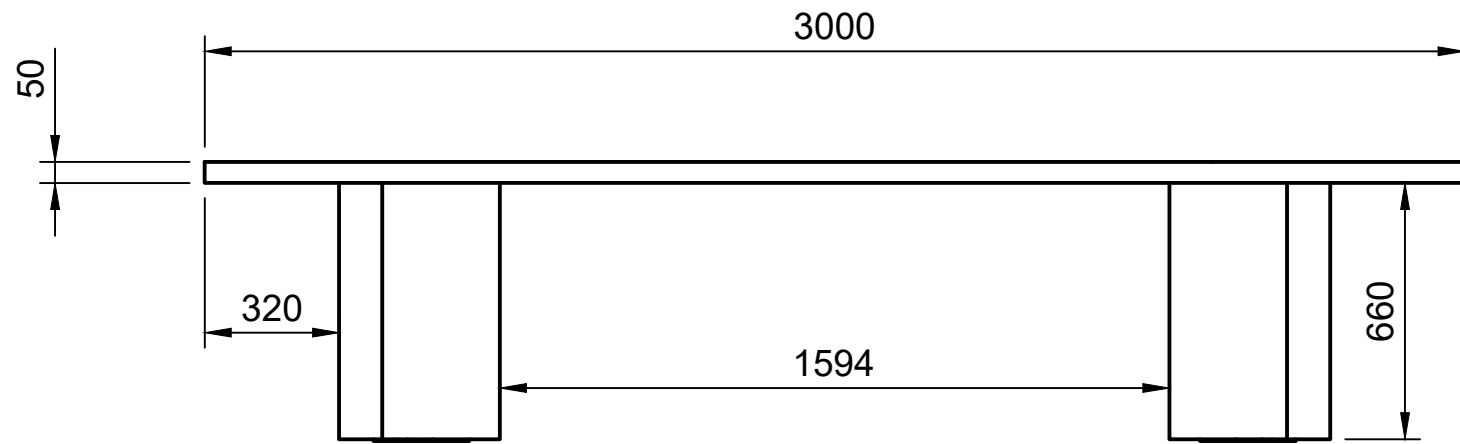


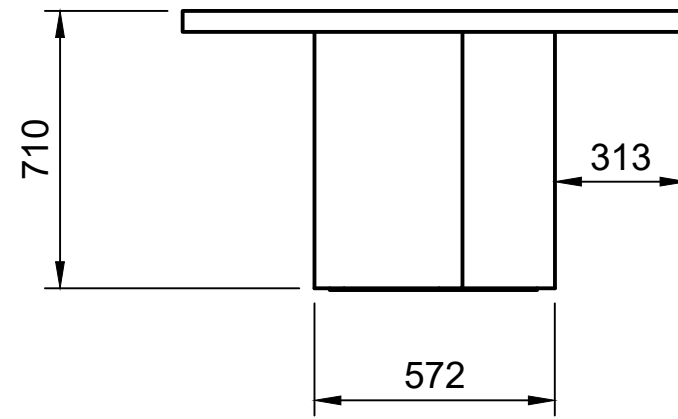
TOP



ISOMETRIC



FRONT



SIDE

+	Created by <b>DM</b>	30/07/21	Approved by <b>MT</b>	30/07/21
	Document type <b>WR - TAD</b>		Document status <b>PENDING</b>	
	Title <b>WR   SION</b>		DWG No. <b>SION - 1</b>	
			Date of issue <b>30/07/21</b>	Sheet <b>1/1</b>